



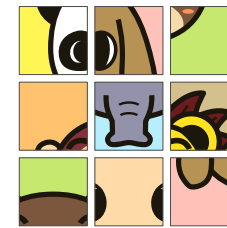
Assembly Instructions: 3 sheets Number of parts: 15



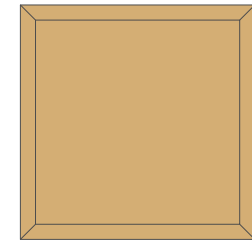
Caution: This craft requires the use of glue, scissors, and other tools which may be dangerous to young children. Please keep them out of reach of children while you work. The finished craft may have sharp corners, so please keep a close eye on children when they play with it. Please also ensure that children do not put the pieces in their mouth as this can be extremely dangerous.

HOW TO PLAY

There are 9 different blocks. Match the pictures and arrange them neatly in the box. What kind of animals can you make?

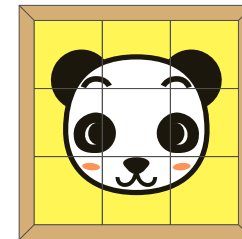


(Blocks)

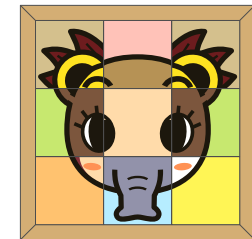


(Box)

Look at the picture on the right. There is a panda, and-- what's that?? Somebody's made something silly! Why don't you try making your favorite animal? If you have trouble, look at the pictures for help.



(Panda)



(? ?)

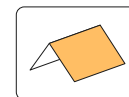
HOW TO MAKE

*Be careful not to hurt yourself when using scissors, glue etc.

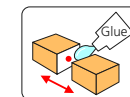
*If you have trouble, ask an adult for help.

YOU WILL NEED: scissors, glue

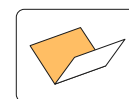
NOTATION KEY: Follow the picture instructions below



----- Mountain fold



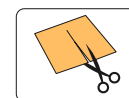
● Glue tab



----- Valley fold

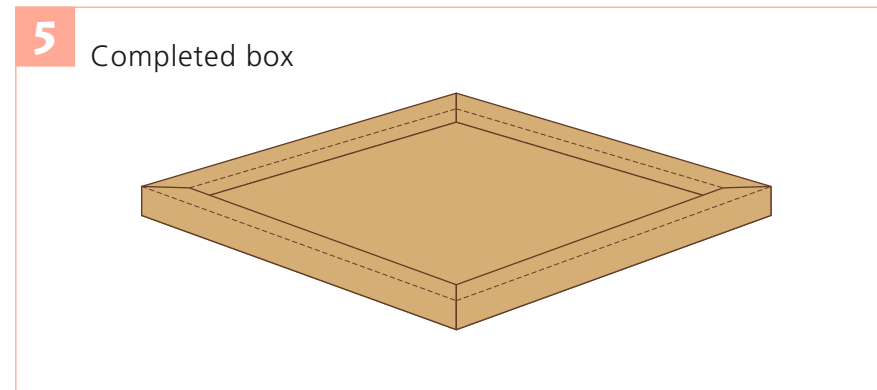
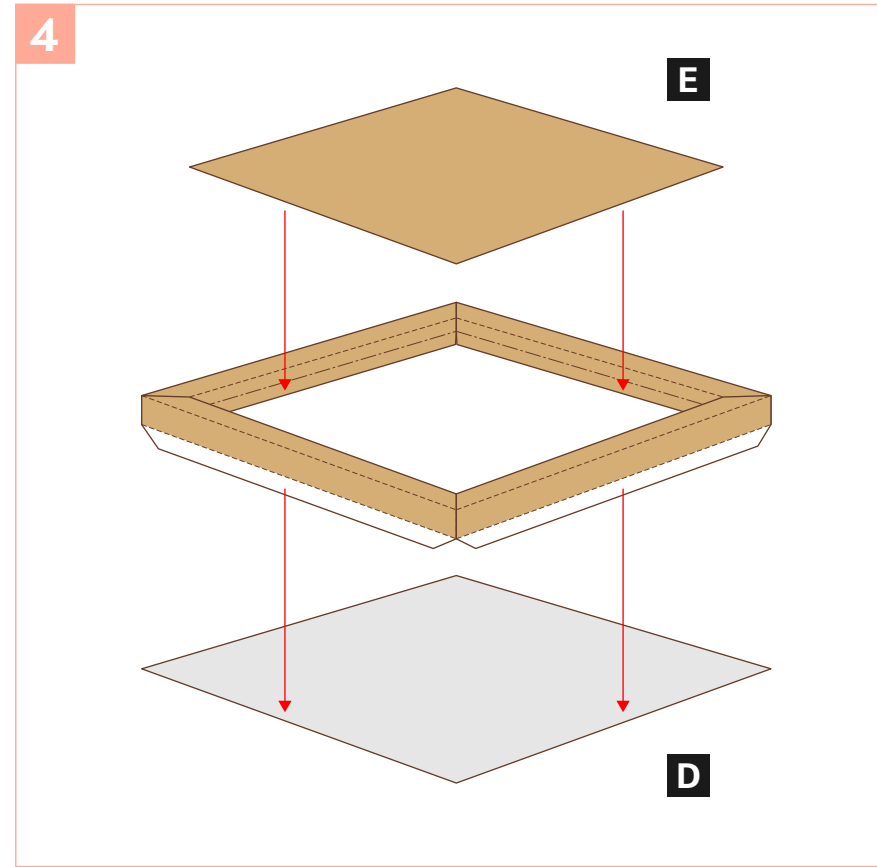
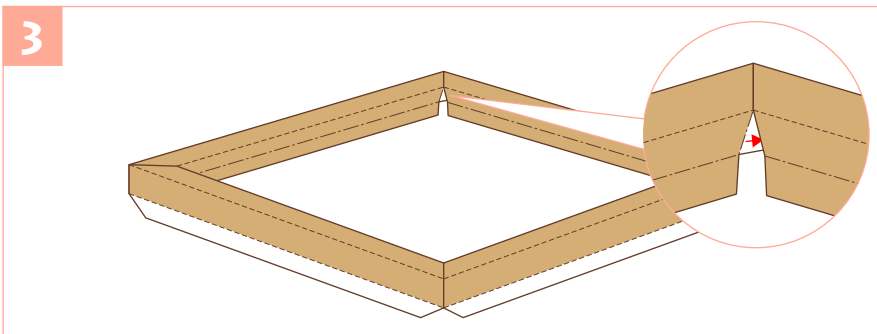
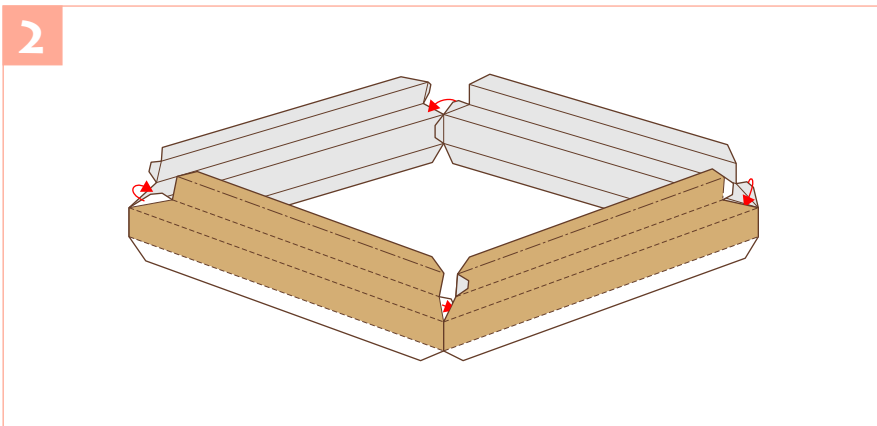
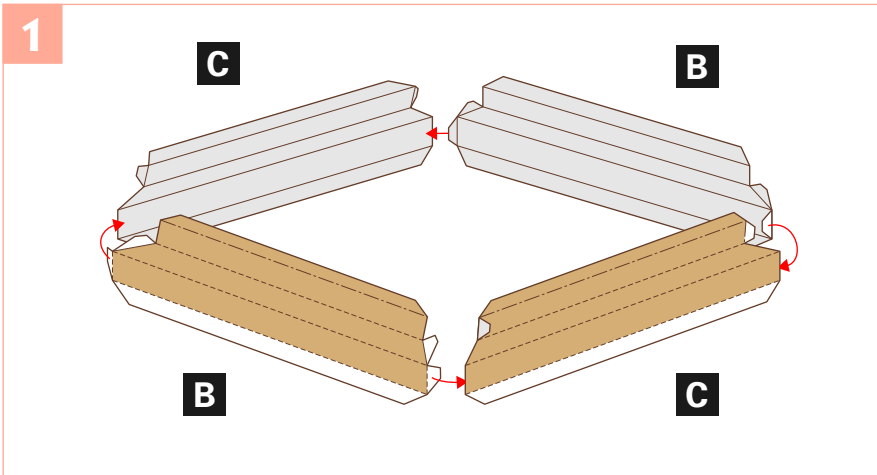


⇨ Insert



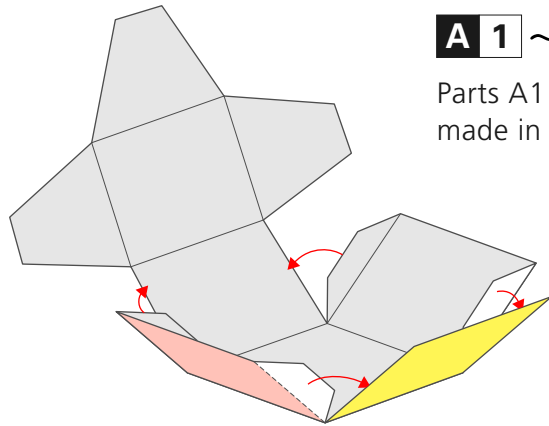
—— Scissors line

HOW TO ASSEMBLE THE BOX



HOW TO ASSEMBLE THE BLOCKS

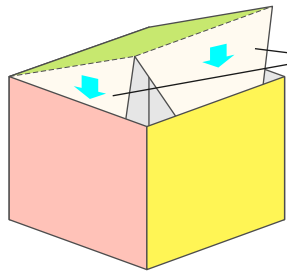
1



A 1 ~ A 9

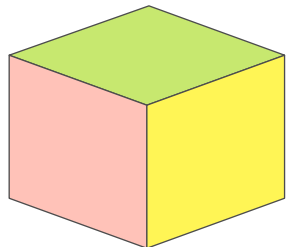
Parts A1 to A9 are made in the same way.

2



Insert the flaps without adding any glue.

3

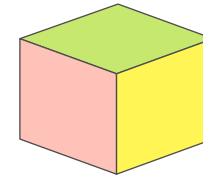
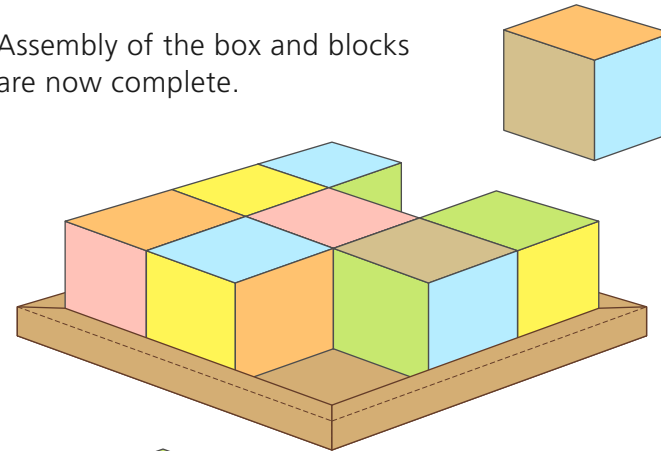


Completed block

COMPLETE

1

Assembly of the box and blocks are now complete.



There are 9 blocks altogether. Try putting them in the box.

2

Look at the "How to Play" section on page 1, and have fun putting the faces together.

