

CREATIVE PARK

<http://www.canon.com/c-park/>



View of completed model



Assembly Instructions : Nine A4 sheets (No. 1 to No. 9)

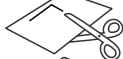
Assembly Instructions



Mountain fold(dotted line)
Make a mountain fold.



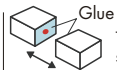
Valley fold(dashed and dotted line)
Make a valley fold.



Scissors line(solid line)
Cut along the line.



Cut in line(solid line)
Cut along the line.



Glue
The glue spot(colored dot) shows where to apply the glue.

● Glue spot(Red dot)
Glue parts with the same number together.

● Glue spot(Green dot)
Glue within the same part.

● Glue spot(Blue dot)
Glue to the rear of the other part.

Tools and materials



Scissors, set square, glue(We recommend stick glue), pencil, used ballpoint pen, toothpicks, tweezers, (useful for handling small parts)

Assembly tip



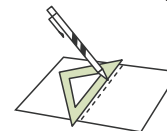
Before gluing, crease the paper along mountain fold and valley fold lines and make sure rounded sections are nice and stiff.

Caution



Glue, scissors and other tools may be dangerous to young children so be sure to keep them out of the reach of young children.

* Build the model by carefully reading the Assembly Instructions, in the parts sheet page order.



*Hint: Trace along the folds with a ruler and an exhausted pen (no ink) to get a sharper, easier fold.

Before starting assembly :
Writing the number of each section on its back side before cutting out the sections is highly recommended.
(* This way, you can be sure which section is which even after cutting out the sections.)

→ Indicates where sections should be glued together.
→ Indicates where to insert sections. Do not glue the sections together.

[1] Base assembly 1

4a

3a

4b

3b

*Gently shape the curve.

[2] Base assembly 2

2b

1

2a

[1]

[1]

[3] Base reinforcement

5a, 5b

[2]

5a

5b

*Make two.

*Attach in an appropriate position.

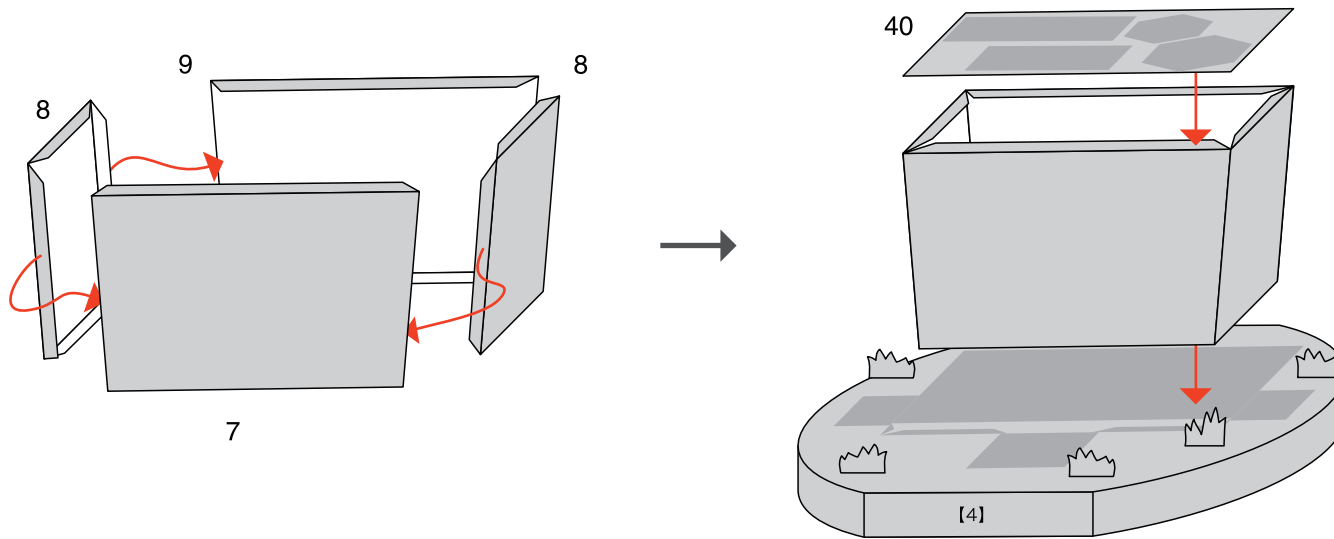
[4] Decorating the base

6

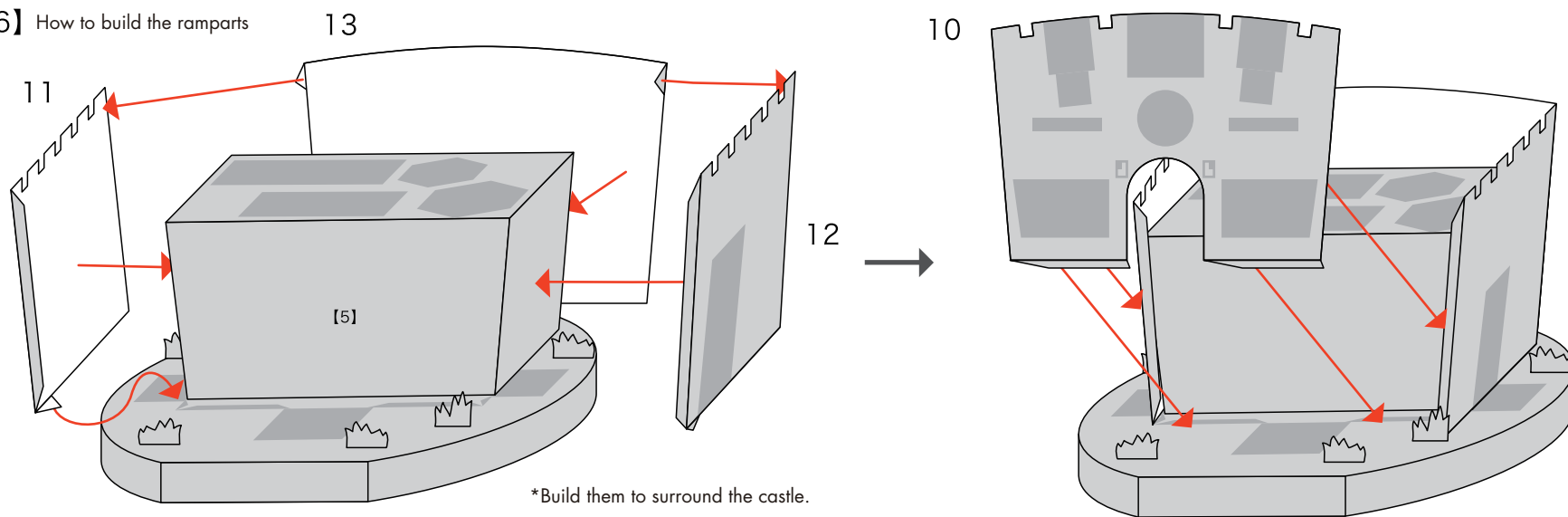
*Apply a small amount of glue to the rim with a toothpick or similar tool.

*Attach in appropriate position, without obstructing the flaps.

[5] How to build the castle



[6] How to build the ramparts



[7]

14

15

14

15

14

15

14

15

14

15

*Use the mark in the pasting margin as a guide

*Build 2 ramparts.

[8]

16

17

[9]

18

19

20

21

*Build 2 ramparts.

[10]

29

30

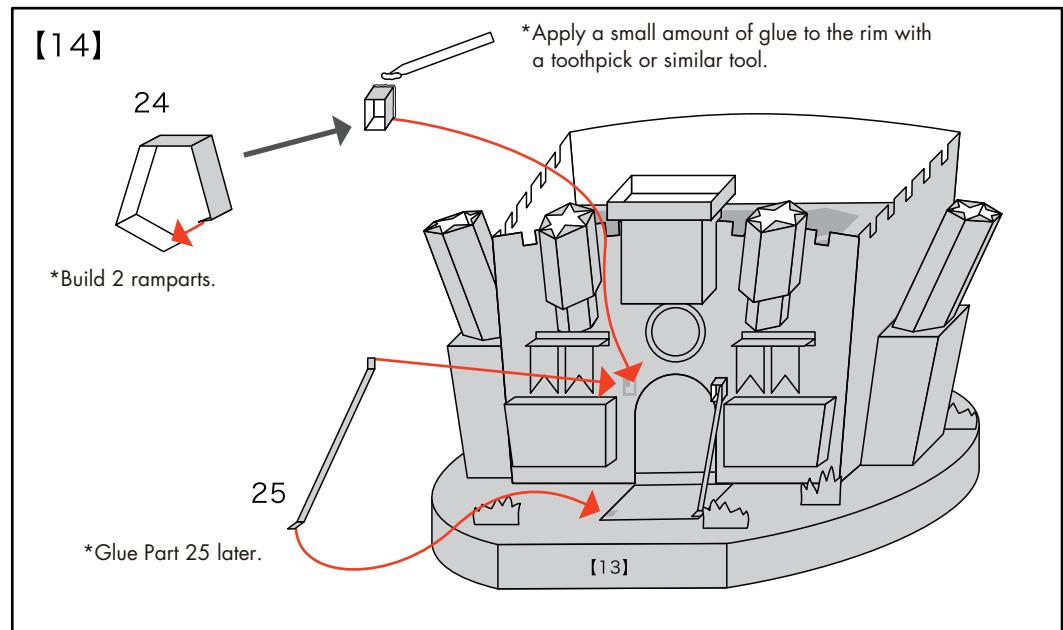
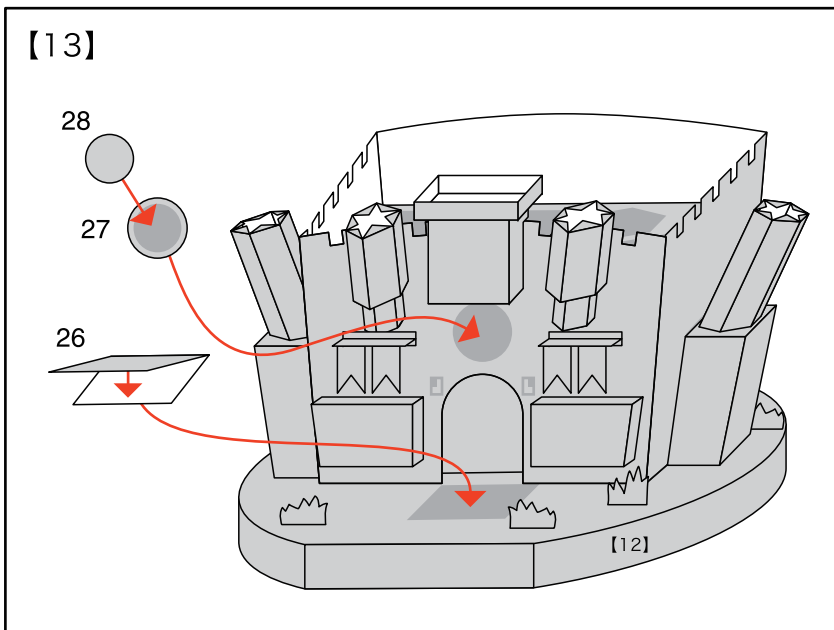
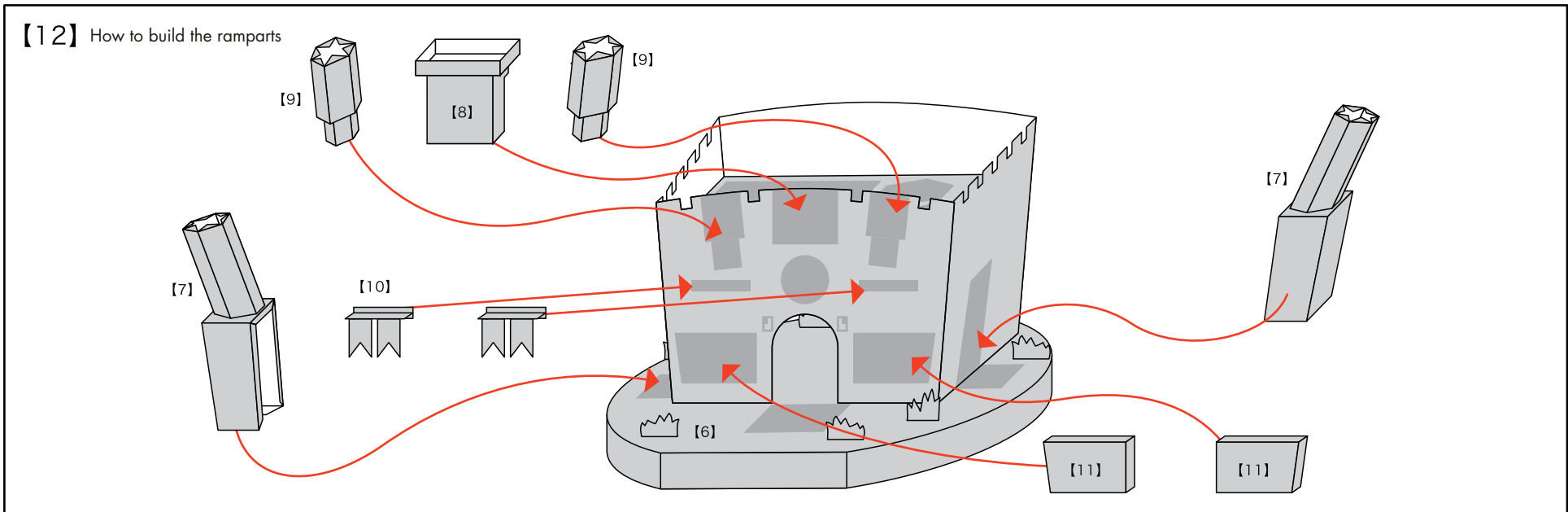
30

*Build 2 ramparts.

[11]

22

23



[15] How to build the towers 1

*Apply a small amount of glue to the rim with a toothpick or similar tool.

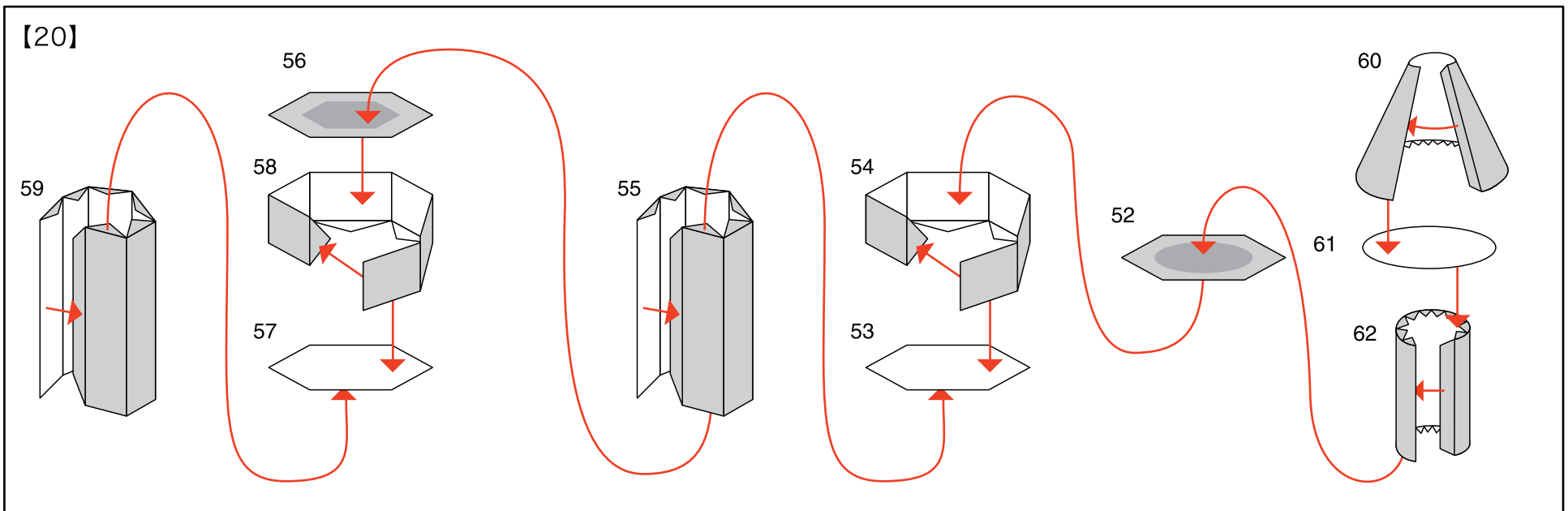
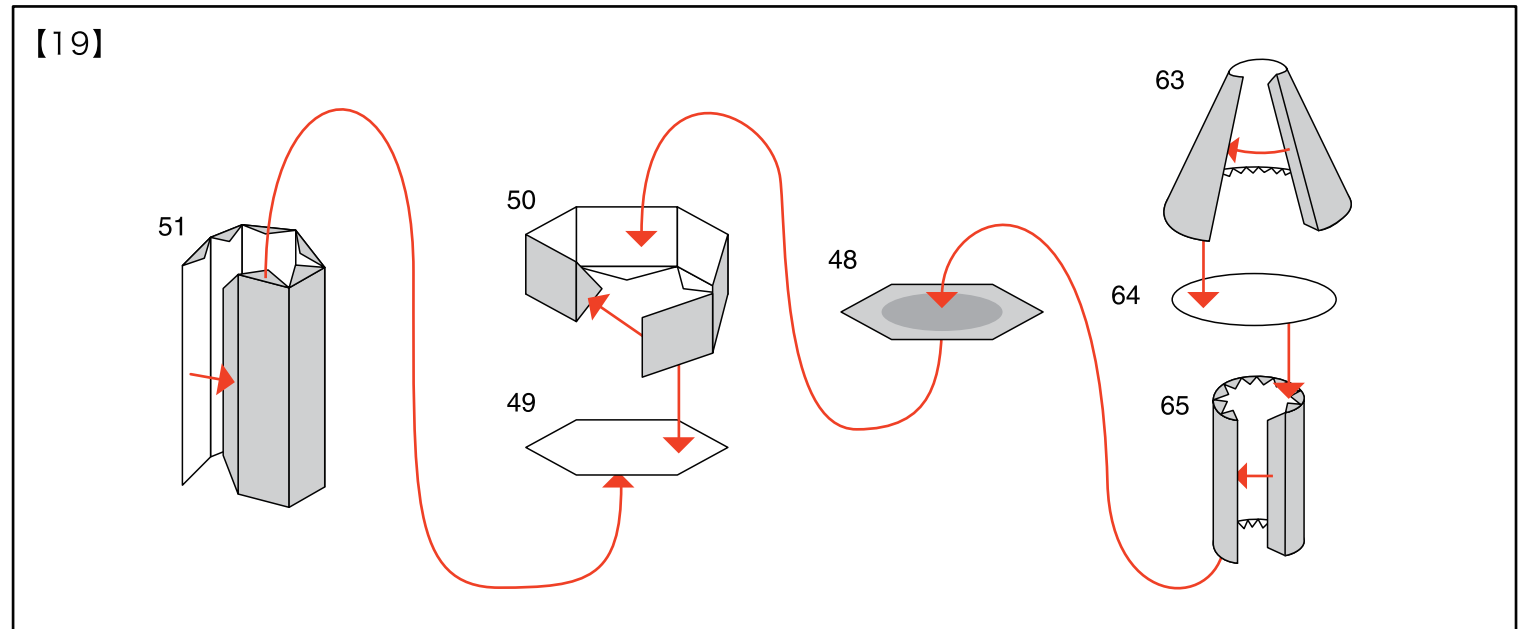
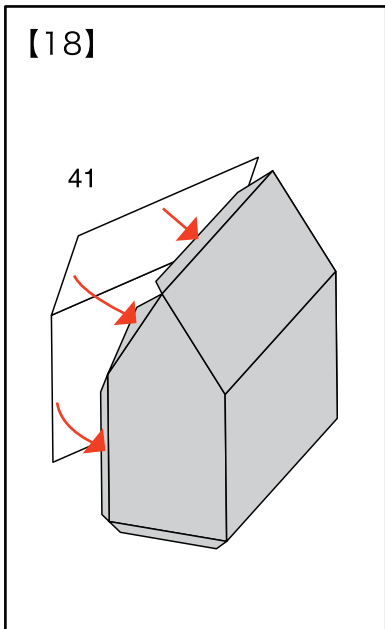
*Glue together and then cut out shapes.

*Make four.

[16] How to build the towers 2

[17]

Upper view
*Location to glue the roof



[21]

47 →

46 →

*Make four.

*Apply a small amount of glue to the rim with a toothpick or similar tool.

66 →

*Glue together and then cut out shapes.

67 →

68 →

*Make two.

[18] [17] [19] [20]

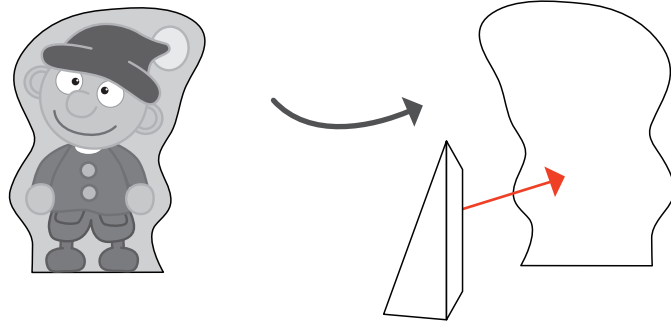
[22]

[16]

Upper view
*Use the mark in the pasting margin as a guide.

41 59b 43 51b

[23] Character assembly example



[24] Arrange characters as you like.

