



Shibam

Shibam is a historic town in the Hadhramaut region of Yemen, a nation in the Middle East. It features almost 500 mud brick tower houses which reach between 5 and 8 stories high. Because of its location in the desert, it is sometimes called "the Manhattan of the desert," or "the oldest skyscraper city in the world." These unique houses are a registered world heritage site.

The pieces of this paper craft can be nested inside one another like Russian matryoshka dolls. You can also display them in size order, with the biggest one at the front, to create a miniature town with a three dimensional perspective.

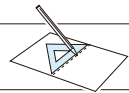
Assembly Instructions

- 1: Carefully cut out the parts. Write the part's number (A~J) on the back of each one.
- 2: Make mountain folds and valley folds along the dotted lines, as indicated.
- 3: Attach the pieces together in order of the numbers on the glue spots, and assemble the parts.

- Parts sheet: 5 pages
- Number of parts: 10

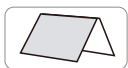
*This model was designed for Papercraft and may differ from the original in some respects.

Handy Hints

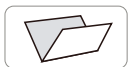


Trace along the folds with a used pen (no-ink) to get a sharp, easier fold.

Notation Key



----- Mountain fold
● Make a mountain fold.



- - - - - Valley fold
● Make a valley fold.



———— Scissors line
● Cut along the line.

Tools and Materials



Scissors, set square, glue (such as woodwork glue), metal rod, spatula, a used pen, toothpicks, tweezers (useful for handling small parts).

Assembly Tip



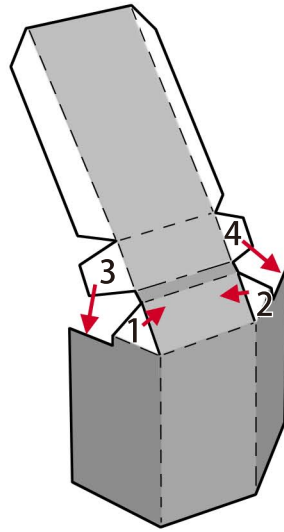
Before gluing, crease the paper along mountain fold and valley fold lines and make sure rounded sections are nice and stiff.

Caution



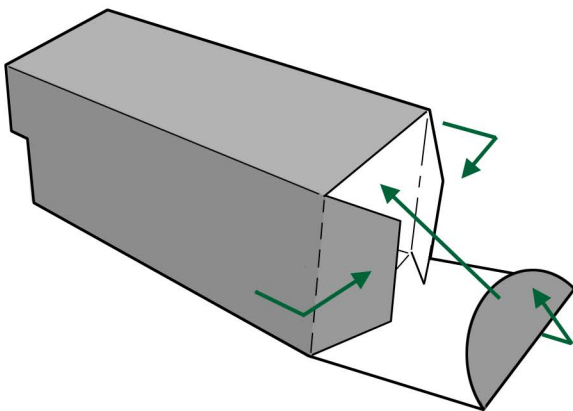
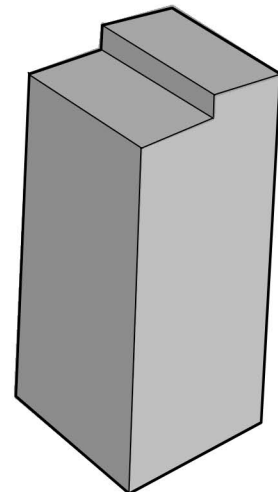
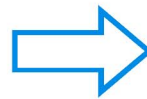
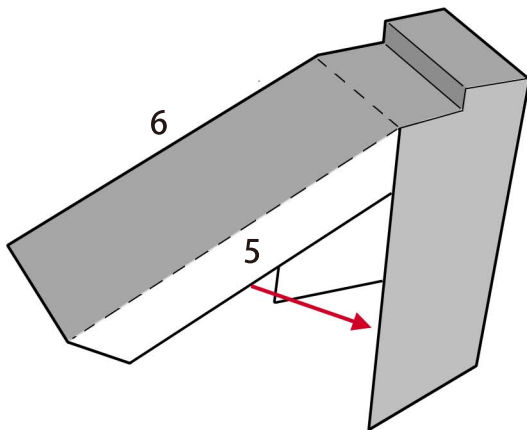
This craft requires the use of glue, scissors, tweezers, and other tools which may be dangerous to young children. Please keep them out of reach of children while you work.

Each house is assembled in the same way. Begin with the one you think looks the easiest size to make.



After attaching 1 and 2, make mountain and valley folds to create a step, and attach 3 and 4.

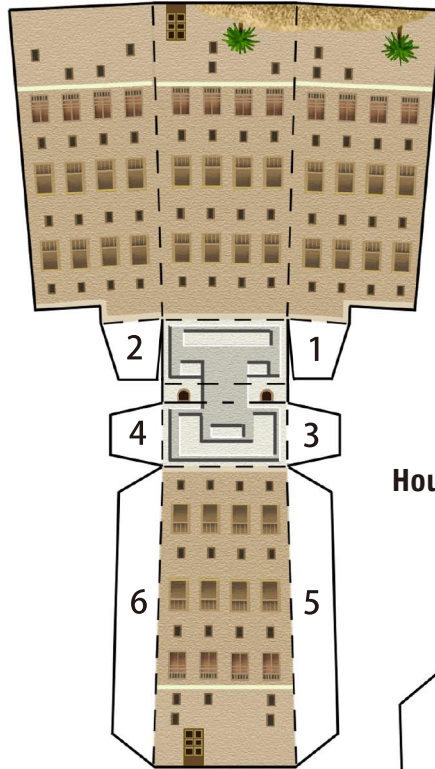
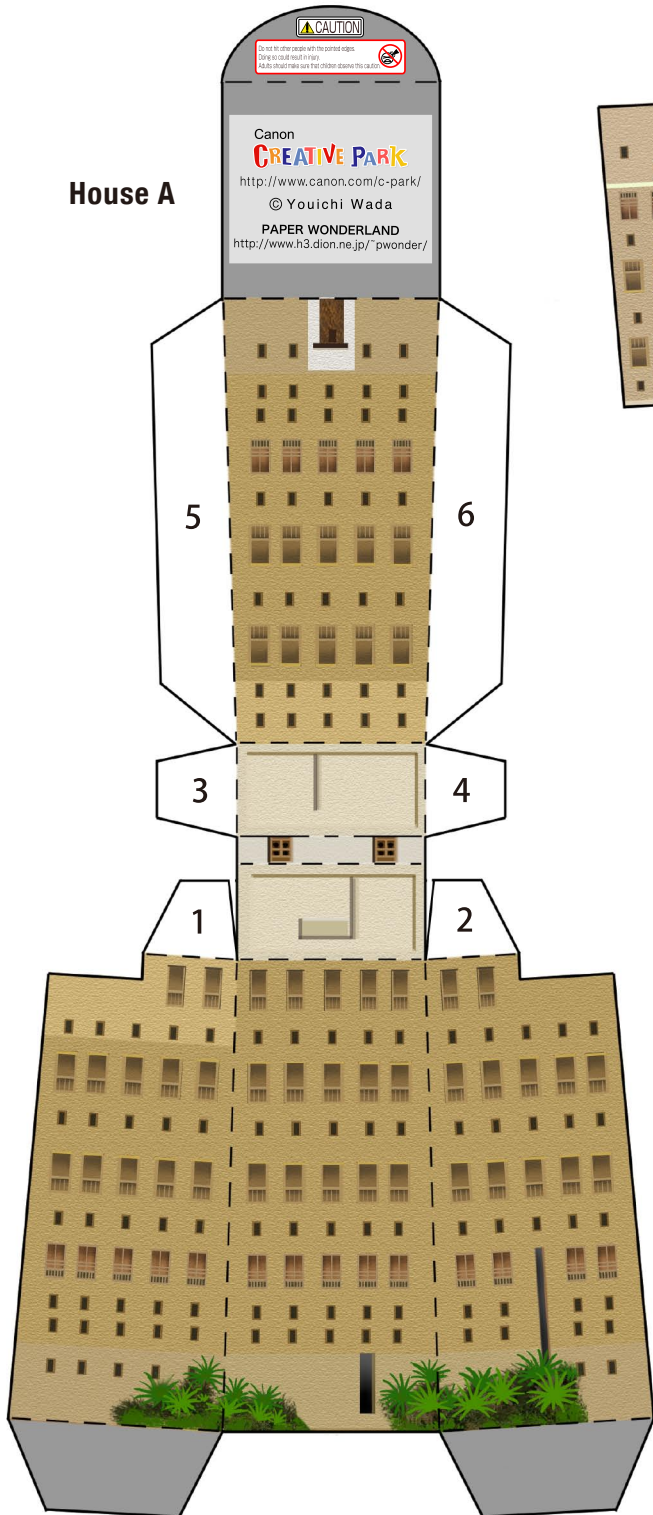
Attach 5 and 6 to make a box shape, and you're done!



The biggest house, A, has a bottom to it. Make mountain folds as indicated, and insert the semicircle flap inside.

When not on display, put houses B to J inside house A, nesting each inside the bigger one, and close the lid.

House A



House I

House J

