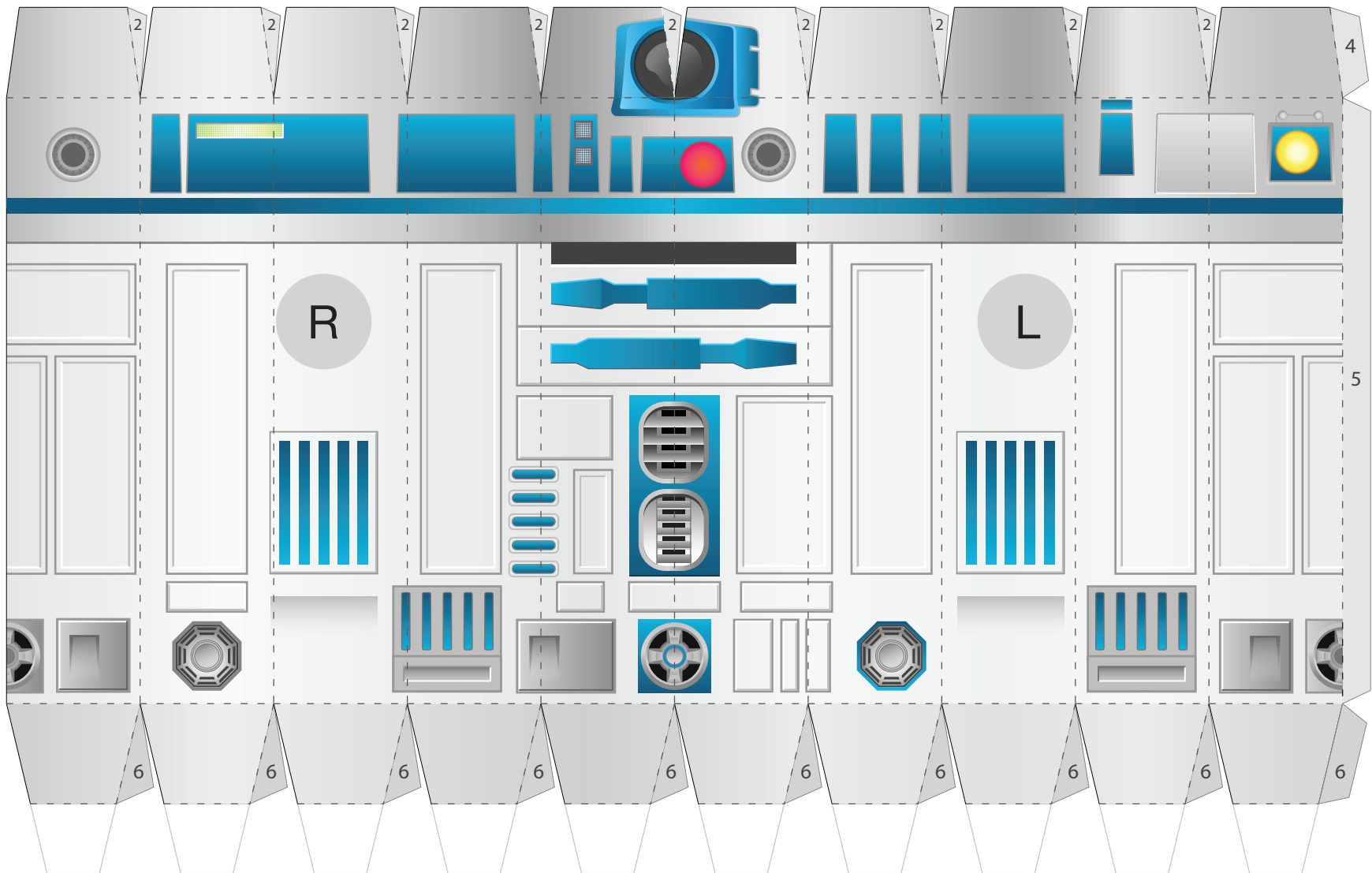




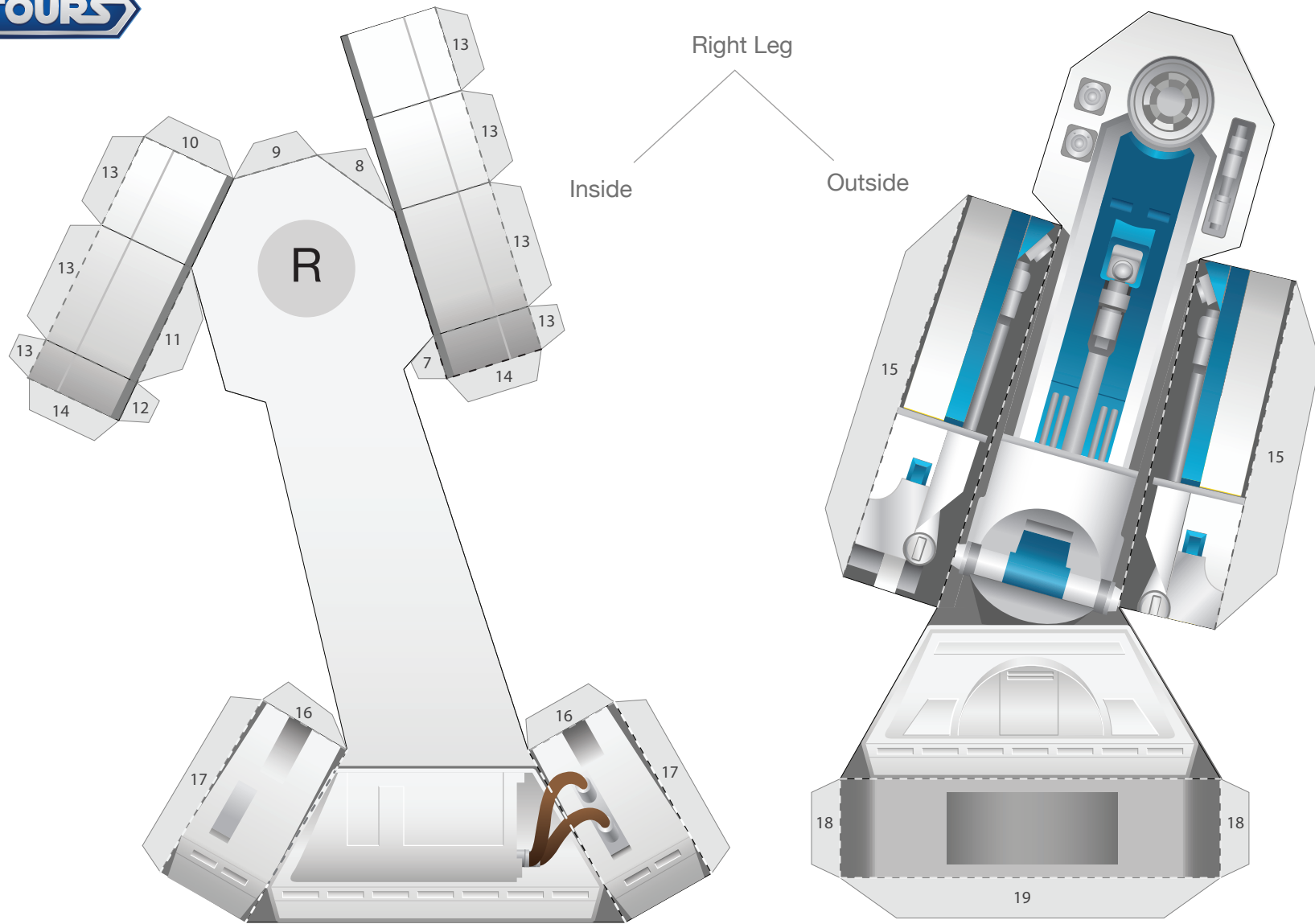
R2-D2 Papercraft

Main Body



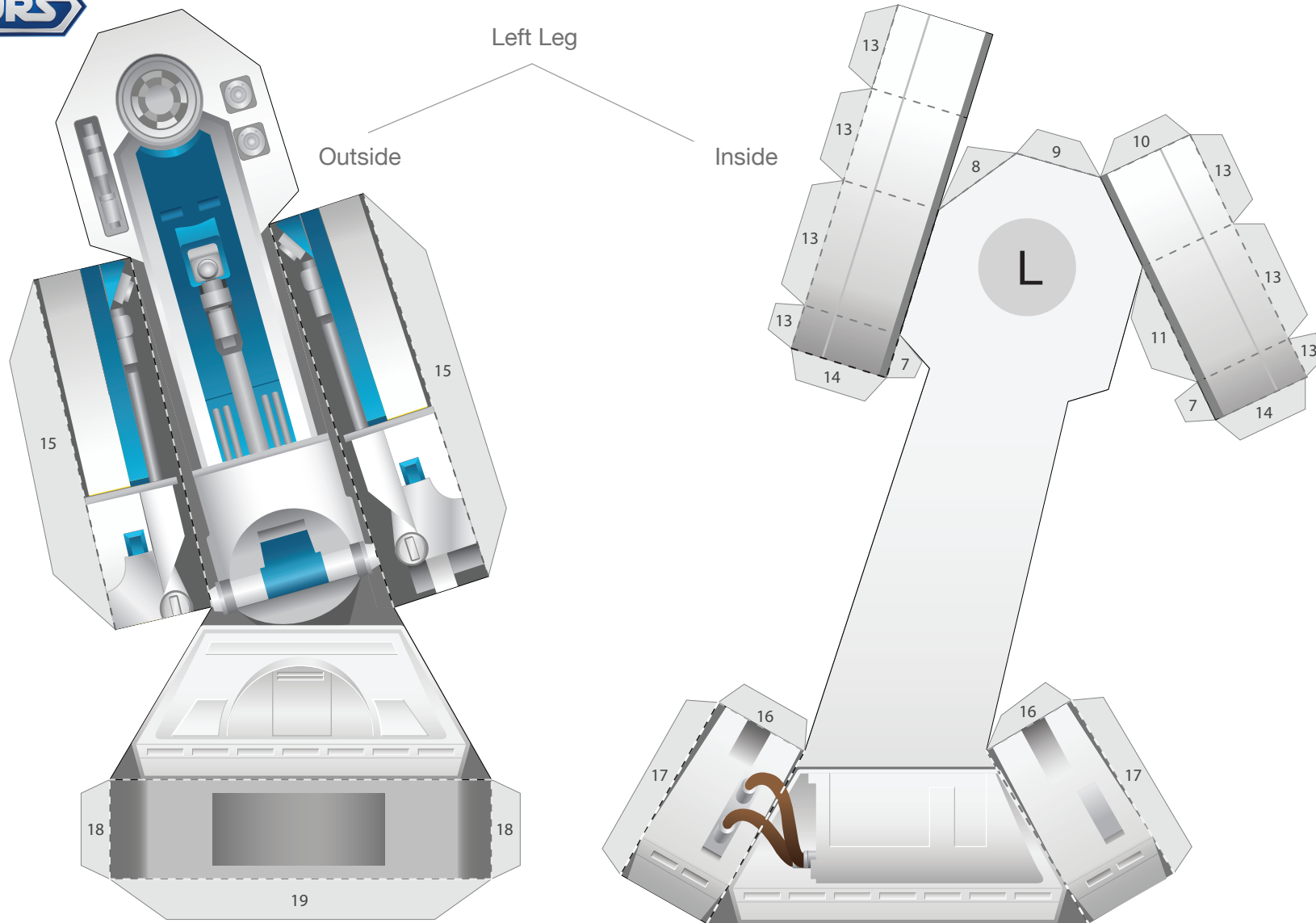


R2-D2 Papercraft





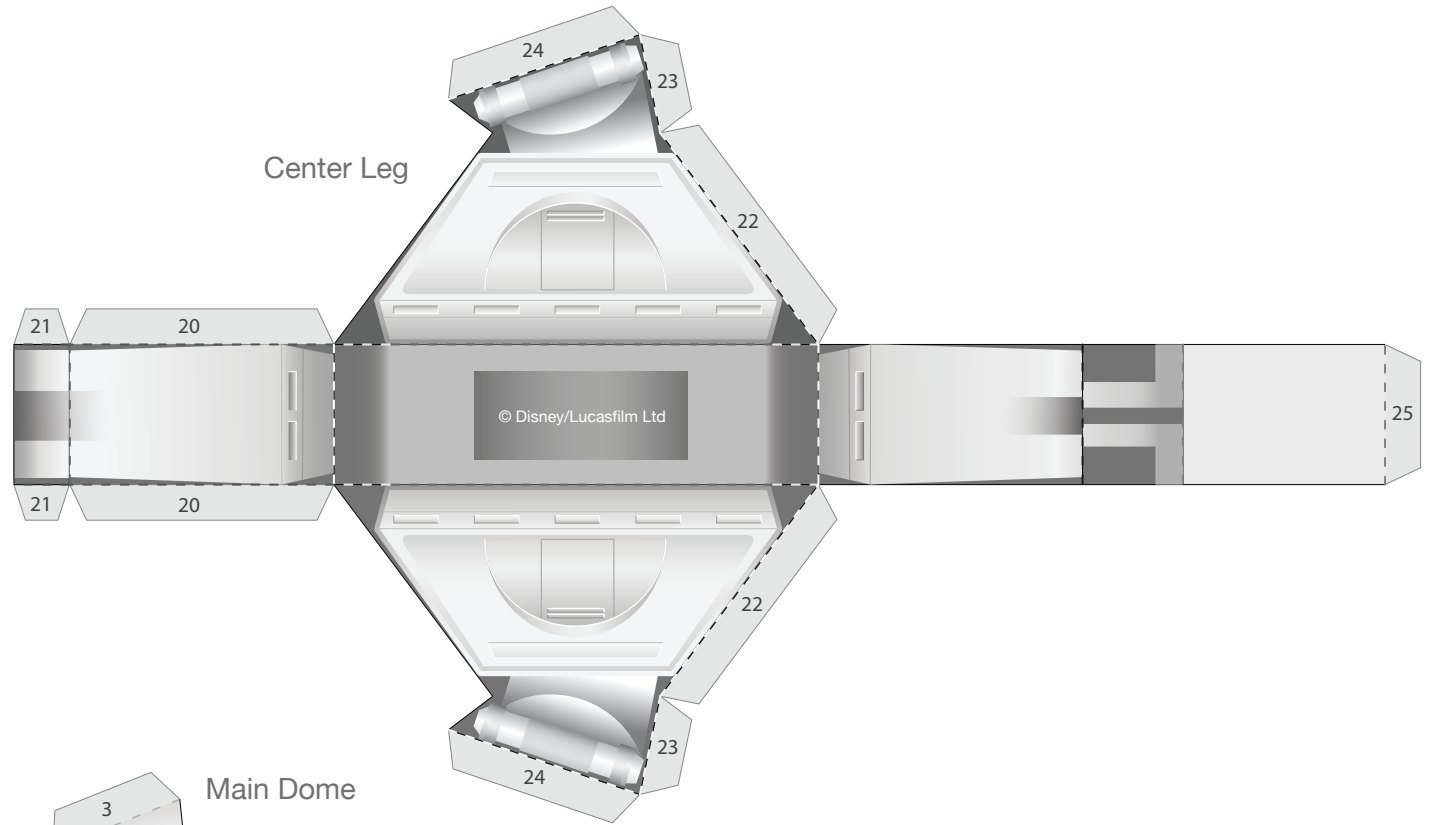
R2-D2 Papercraft



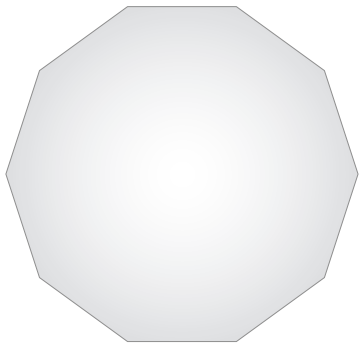


R2-D2 Papercraft

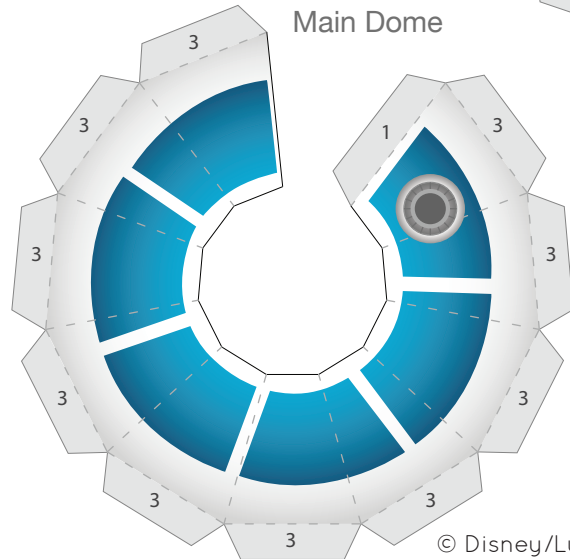
Center Leg



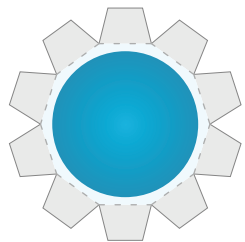
Bottom



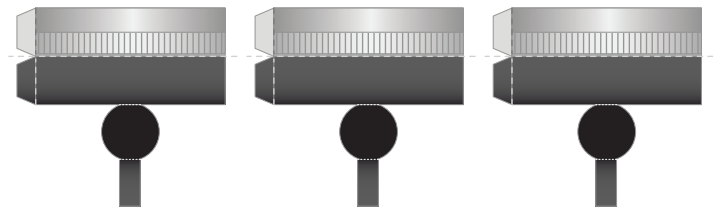
Main Dome



Dome Top



Optical Holographic Projectors

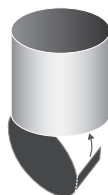




R2-D2 Papercraft

1. Print the template on regular paper or cardstock and cut out the pieces. Make all folds along the dashed lines.
2. Using glue or double-sided tape, secure the tabs on the dome top to the inner circle of the main dome. Close the dome with the #1 tab.
3. Secure all #2 tabs at the top of R2-D2's body to their corresponding pieces.
4. Begin attaching the dome to the top of R2-D2's body by securing the #3 tabs. Start with the tab closest to R2-D2's dome projector, and attach it to the panel adjacent to the #4 tab at the top of R2-D2's body. Continue attaching the dome by following the contour of the body.
5. Close the top of R2-D2's body with the #4 tab. Continue to close the body with the #5 tab, followed by all #6 tabs. Cap the bottom of R2-D2 with the bottom piece by attaching it to the remaining tabs.
6. Secure tabs numbered 7-12 to their corresponding pieces on the inside of the right leg. Begin attaching the outside of the leg to the inside of the leg by securing tabs in numerical order, starting with the #13 tabs around the shoulder. Repeat this step with the left leg.
7. Close the center leg by securing tabs in numerical order, starting with the #20 tabs.
8. When the center leg is complete, attach it to the bottom of R2-D2. If done correctly, R2-D2 should lean slightly backwards when standing.
9. Secure the left and right legs by aligning the letter at the inside of each leg with the letters on R2-D2's body. R2-D2 should now stand on his own.
10. If you want extra detail, you can add the three optical holographic projectors provided. These should be placed on each of three matching markers, one of which is at the top of the dome. To assemble (Fig. 1), fold the piece in half along the dashed line between the gray and black panels, then secure the two panels with glue or double-sided tape. Wrap the piece around the black circle, and secure with the end tab. Attach the tab on the circle to the inner wall of the projector. The black circle should be used to attach each projector to R2-D2 where indicated.

Fig. 1



Optical Holographic Projector