

Halloween tree : Assembly Instructions

PAPER CRAFT

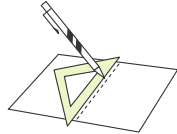
<http://www.canon.com/c-park/en/>



View of completed model

Assembly Instructions : Three A4 sheets (No. 1 to No. 3)

* Build the model by carefully reading the Assembly Instructions , in the parts sheet page order.



*Hint:Trace along the folds with a ruler and an exhausted pen (no ink) to get a sharper, easier fold.

Assembly Instructions



..... **Mountain fold (dotted line)**
Make a mountain fold.



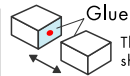
- - - - **Valley fold (dashed and dotted line)**
Make a valley fold.



———— **Scissors line (solid line)**
Cut along the line.



———— **Cut in line (solid line)**
Cut along the line.



Glue
The glue spot (colored dot) shows where to apply the glue.

● **Glue spot (Red dot)**
Glue parts with the same number together.

● **Glue spot (Green dot)**
Glue within the same part.

● **Glue spot (Blue dot)**
Glue to the rear of the other part.

Tools and materials



Scissors, set square, glue (We recommend stick glue), pencil, used ballpoint pen, toothpicks, tweezers, (useful for handling small parts)

Assembly tip



Before gluing, crease the paper along mountain fold and valley fold lines and make sure rounded sections are nice and stiff.

Caution

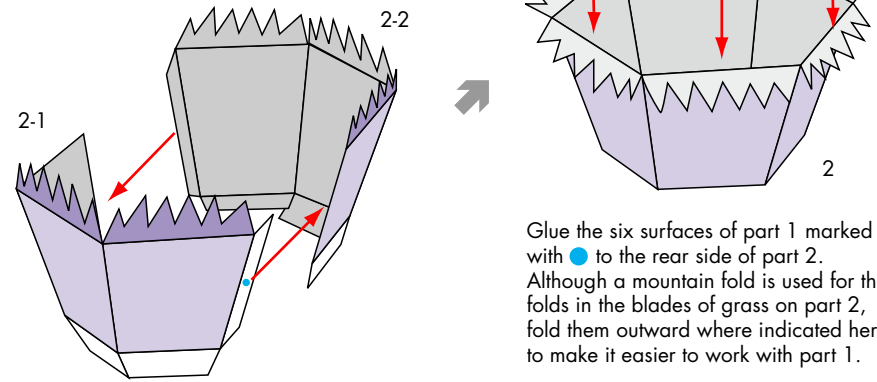
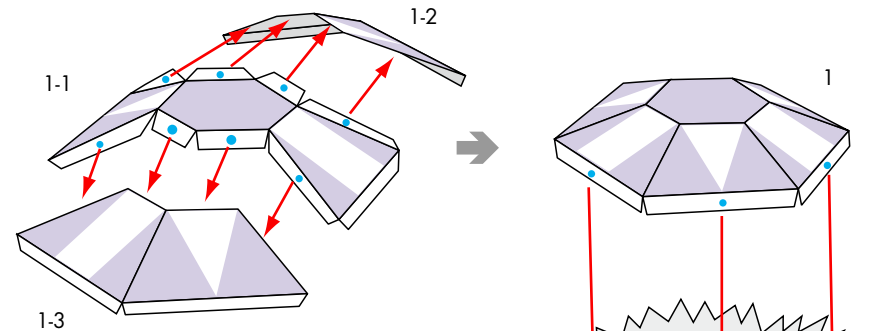


Glue, scissors and other tools may be dangerous to young children so be sure to keep them out of the reach of young children.

Before starting assembly:
Writing the number of each section on its back side before cutting out the sections is highly recommended.
(* This way, you can be sure which section is which even after cutting out the sections.)

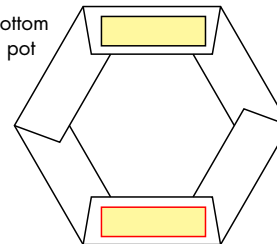
→ Indicates where sections should be glued together.
→ Indicates where to insert sections. Do not glue the sections together.

Assembling the pot



Glue the six surfaces of part 1 marked with ● to the rear side of part 2. Although a mountain fold is used for the folds in the blades of grass on part 2, fold them outward where indicated here to make it easier to work with part 1.

The bottom of the pot



Complete the pot by gluing the bottom in place.

Halloween tree : Assembly Instructions

Assembling the tree trunk

3-1

3-2

3-3

Cross-section of the trunk

3-3 3-1 3-3

3-3

Complete the trunk by gluing parts 3-3 to part 3-1 and then inserting part 3-2.

Assembling the branches

3-4

Apply glue to the spot marked with a ★.

After gluing one side, glue the other.

This branch is complete!
Assemble nine branches in total.

Assembling the roots

3-5

Apply glue to the spot marked with a ★.

After gluing one side, glue the other.

This root is complete!
Assemble three roots in total.

Assembling the trunk, branches, roots, and pot together

Glue the nine branches in place.

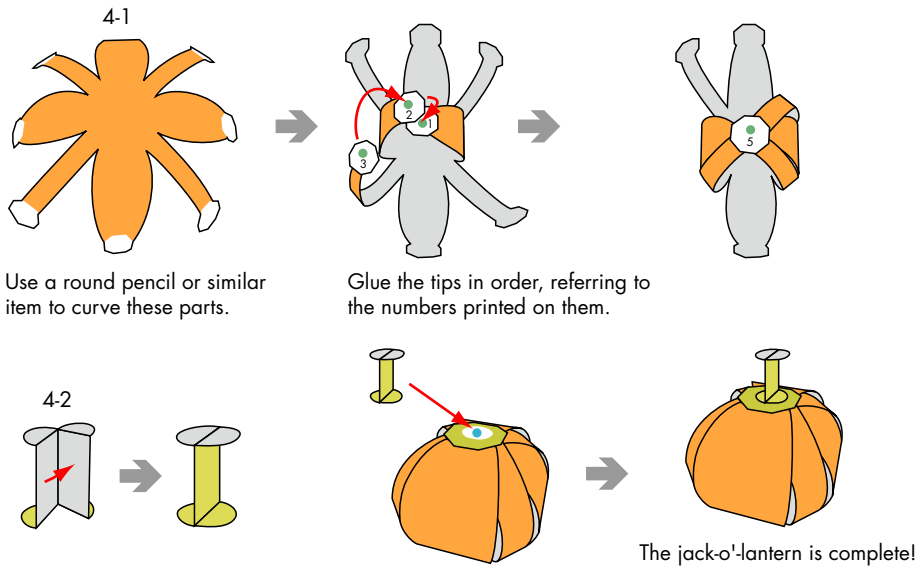
Glue the three roots in place.

Returning the blades of grass to the proper position. Complete the tree by giving just a slight mountain fold to the blades of grass.

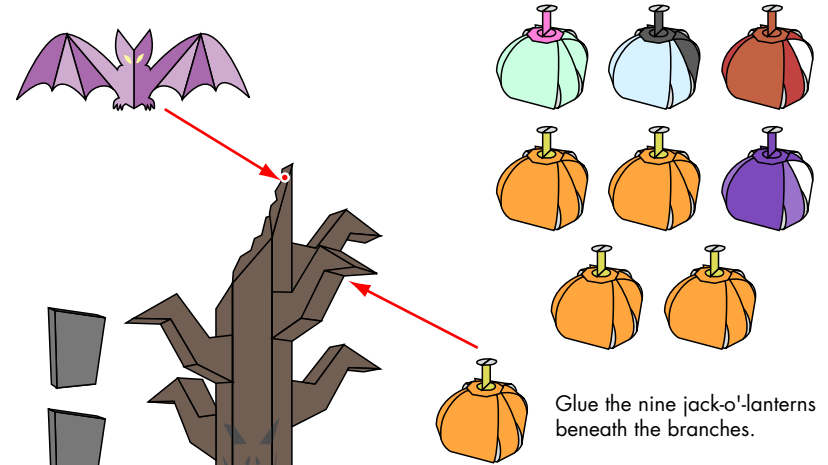
Halloween tree : Assembly Instructions

Assembling the jack-o'-lanterns

Assemble a total of nine jack-o'-lanterns. Each has the same shape and is assembled in the same way, with only their patterns differing.

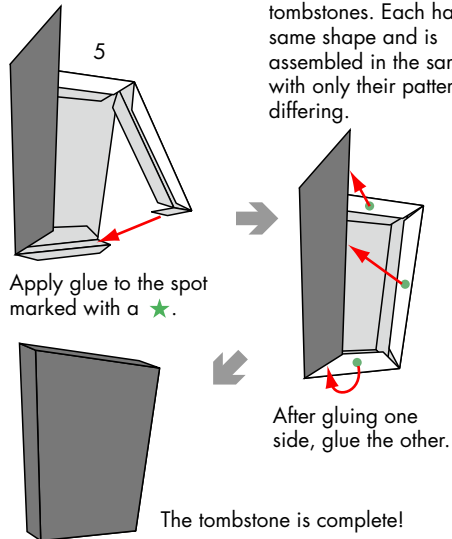


Decorating the tree

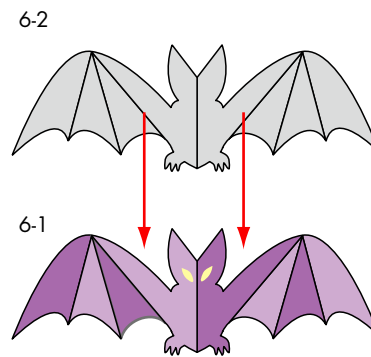


Assembling the tombstone

Assemble a total of two tombstones. Each has the same shape and is assembled in the same way, with only their patterns differing.



Assembling the bat



After first creasing the parts, glue the reverse side of each to the reverse side of the other.

After gluing the jack-o'-lanterns in place, glue the surfaces of the tombstones marked with ● in any location you like.

Your Halloween tree is complete!