

## CREATIVE PARK

<http://www.canon.com/c-park/>



View of completed model.



### ■ Assembly Instructions : Nine A4 sheets (No. 1 to No. 9)

#### Assembly Instructions



**Mountain fold(dotted line)**  
Make a mountain fold.



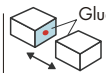
**Valley fold(dashed and dotted line)**  
Make a valley fold.



**Scissors line(solid line)**  
Cut along the line.



**Cut in line(solid line)**  
Cut along the line.



Glue  
The glue spot(colored dot) shows where to apply the glue.

**● Glue spot(Red dot)**  
Glue parts with the same number together.

**● Glue spot(Green dot)**  
Glue within the same part.

**● Glue spot(Blue dot)**  
Glue to the rear of the other part.

#### Tools and materials



Scissors, set square, glue(We recommend stick glue), pencil, used ballpoint pen, toothpicks, tweezers, (useful for handling small parts)

#### Assembly tip



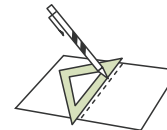
Before gluing, crease the paper along mountain fold and valley fold lines and make sure rounded sections are nice and stiff.

#### Caution



Glue, scissors and other tools may be dangerous to young children so be sure to keep them out of the reach of young children.

\* Build the model by carefully reading the Assembly Instructions , in the parts sheet page order.



\*Hint: Trace along the folds with a ruler and an exhausted pen (no ink) to get a sharper, easier fold.

Before starting assembly :  
Writing the number of each section on its back side before cutting out the sections is highly recommended.  
(\* This way, you can be sure which section is which even after cutting out the sections.)

→ Indicates where sections should be glued together.  
→ Indicates where to insert sections. Do not glue the sections together.

**[1] Base assembly 1**

4a 3a 4b 3b

\*Gently shape the curve.

**[2] Base assembly 2**

1 2b 2a 1

**[3] Base reinforcement**

5a, 5b 2 5a 5b

\*Make two.

\*Attach in an appropriate position.

**[4] Fence assembly**

6 7

\*Fold along fold lines.

\*Glue together and then cut out shapes.

**[5] Decorating the base**

**4**

**3**

\*Apply a small amount of glue to the rim with a toothpick or similar tool.

**[6] Decoration stand assembly**

8a, 8b

\*Glue together and then cut out shapes.

**[7] Interior assembly 1**

\*Attach in appropriate position, without obstructing the flaps.

10

15a

15b

12

13

13

14

11

\*Glue along the outer edge.

\*Attach reinforcements and assemble.

**[8]**

9

[Front view]

[Rear view]

**[9]** Floor assembly

16

17

\*Attach in appropriate position, without obstructing the flaps.

\*Attach reinforcements and assemble.

**[10]** Crosspiece assembly

18

\*Make two.

**[11]** Interior assembly 2

8

9

7

10

\*Attach reinforcements and assemble.

**[12] Pillar assembly**

28

\*Make two.

**[13]**

26

\*Glue together and then cut out shapes.

**[14]**

19

24a 24b 24c 24d 23

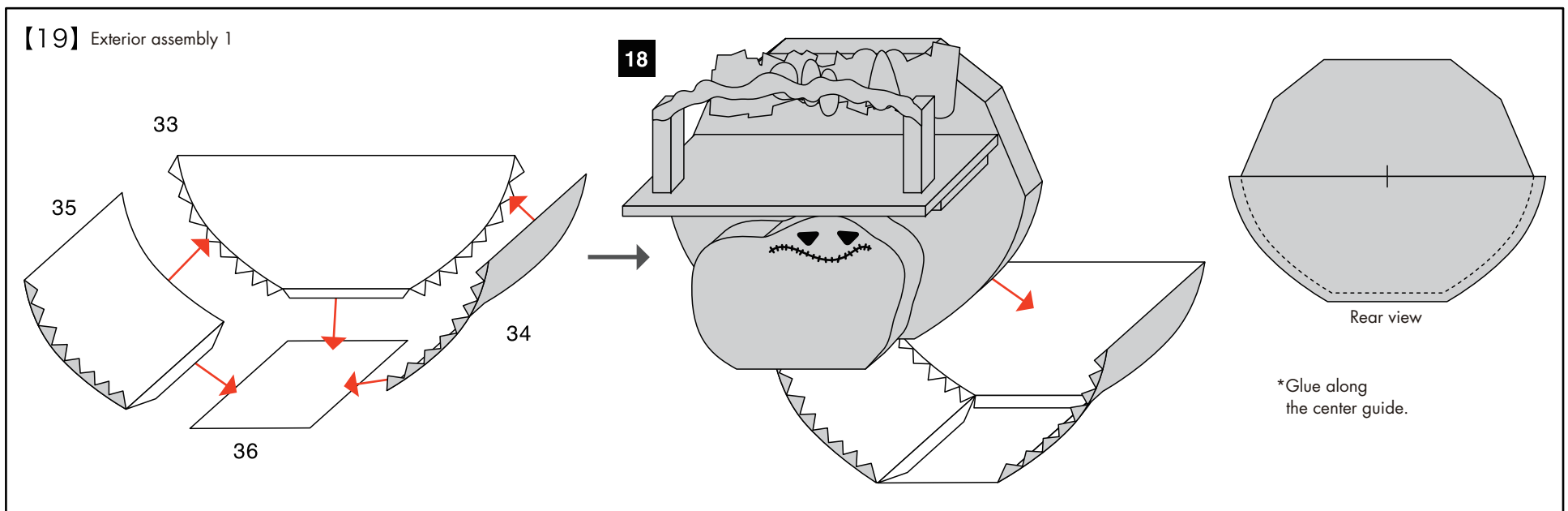
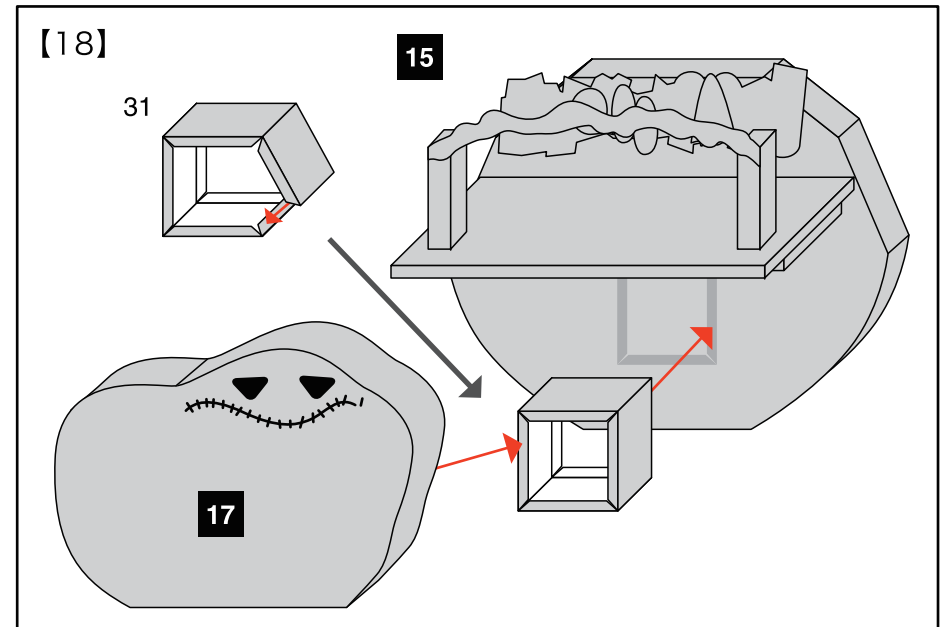
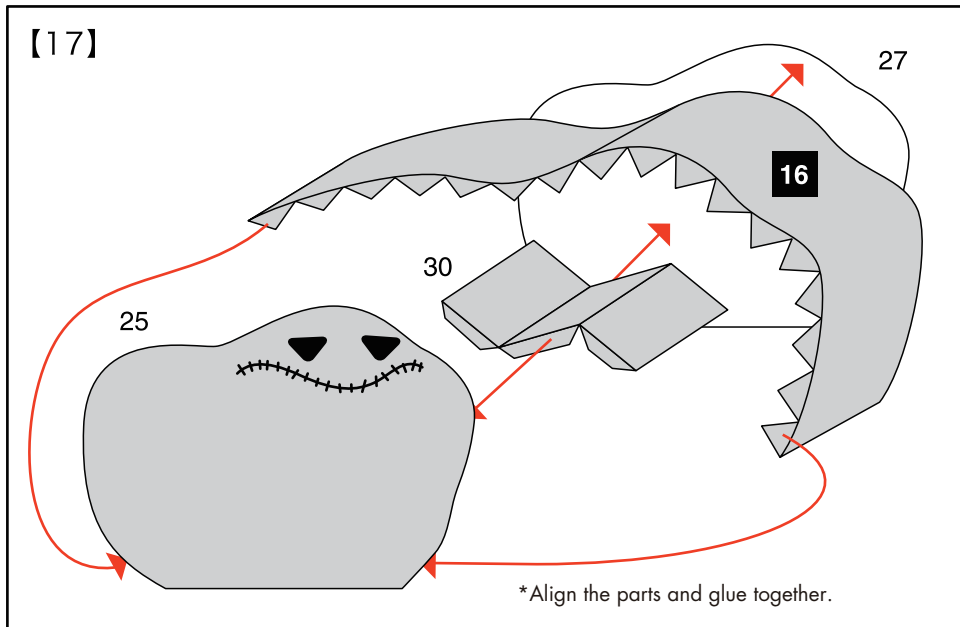
\*Glue together and then cut out shapes.

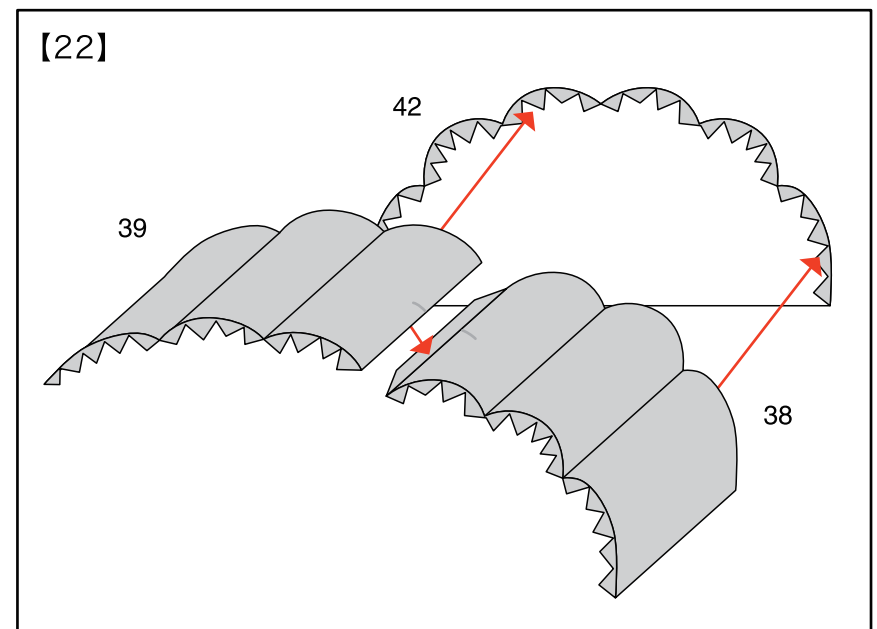
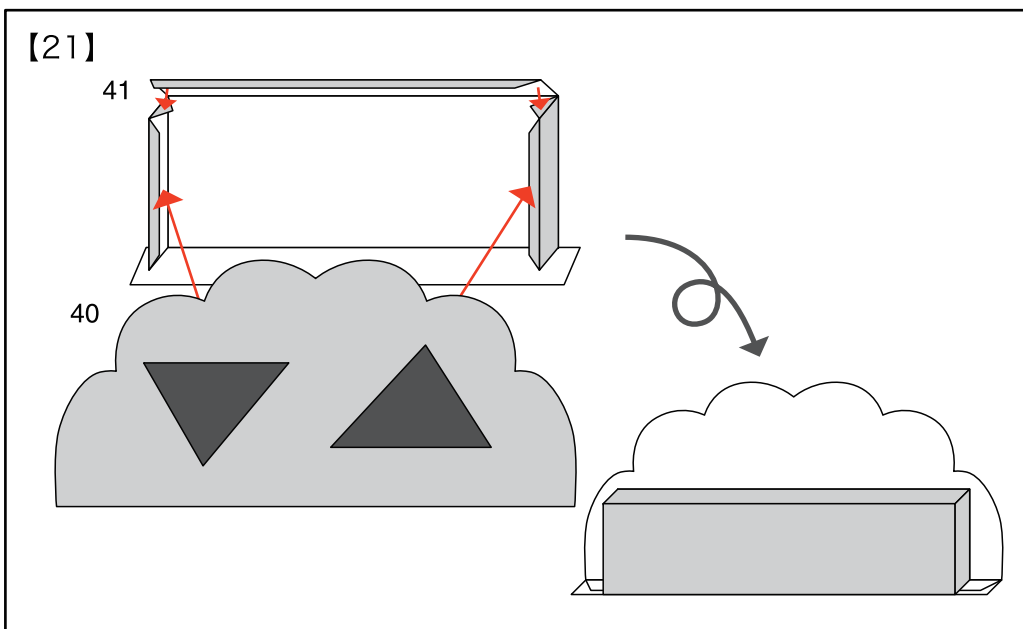
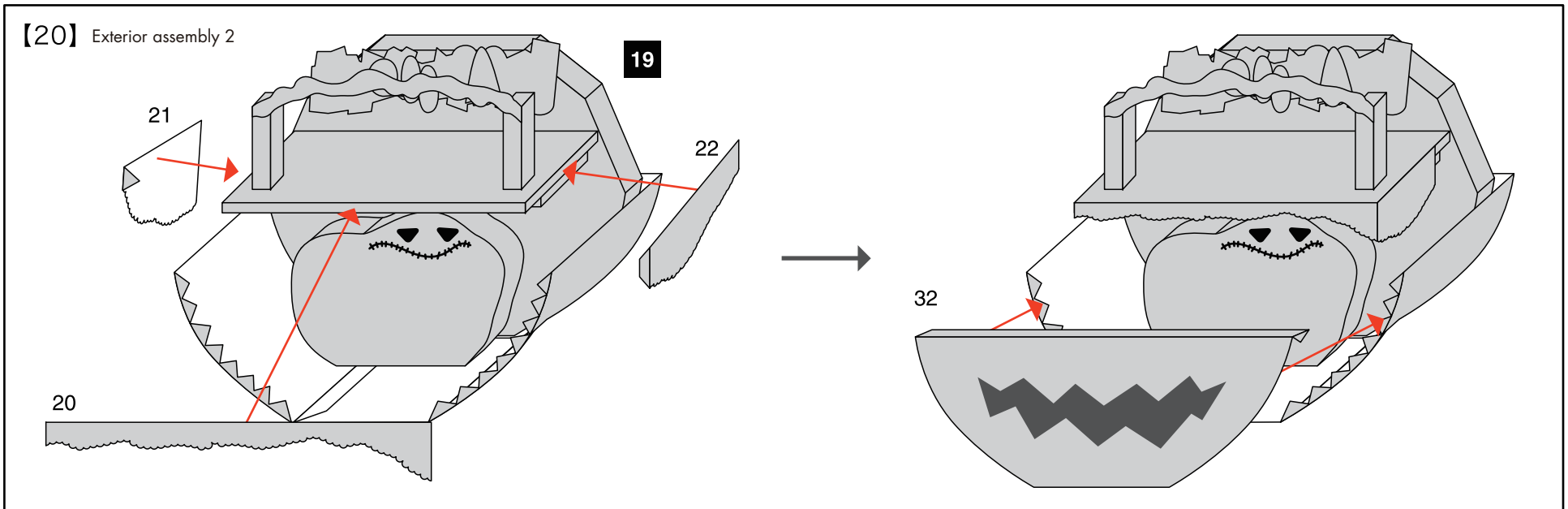
**[15] Interior assembly 3**

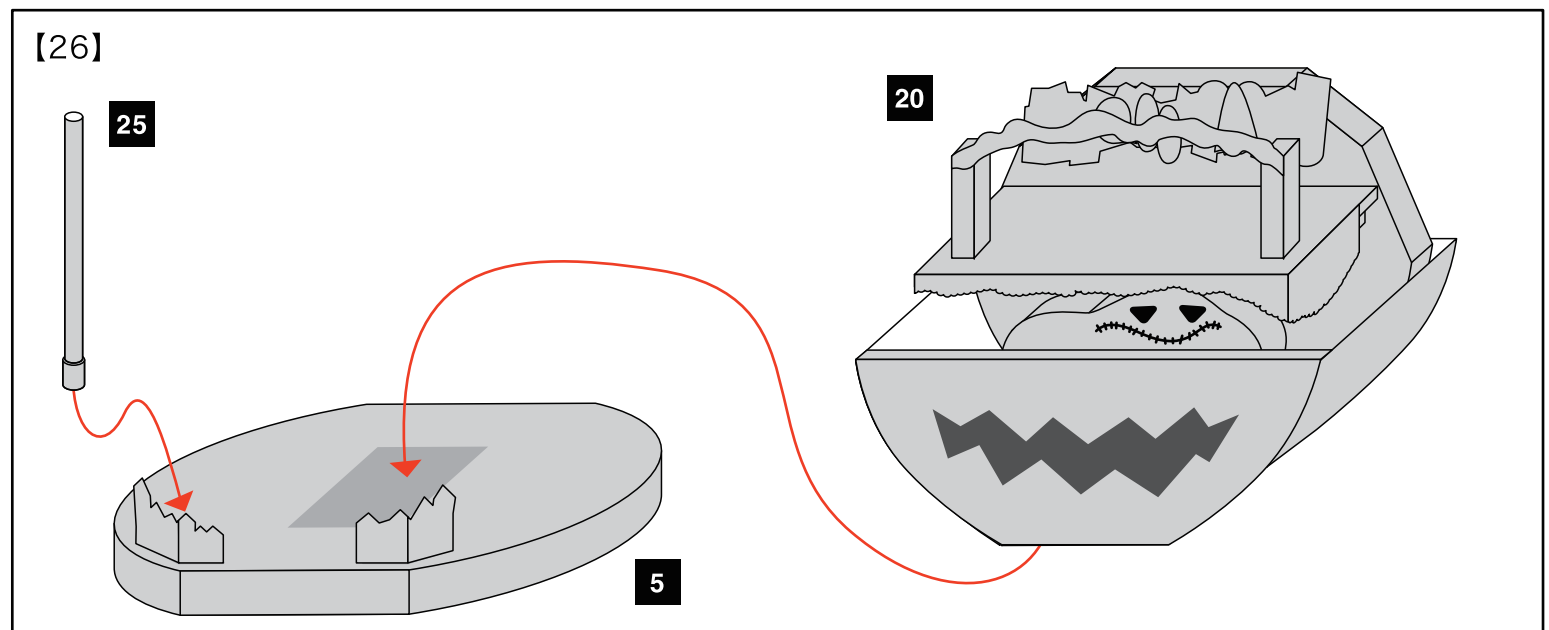
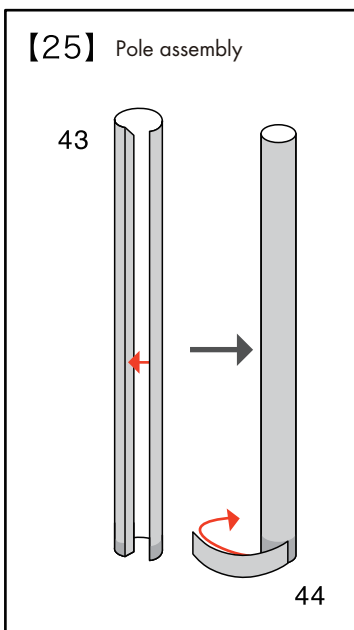
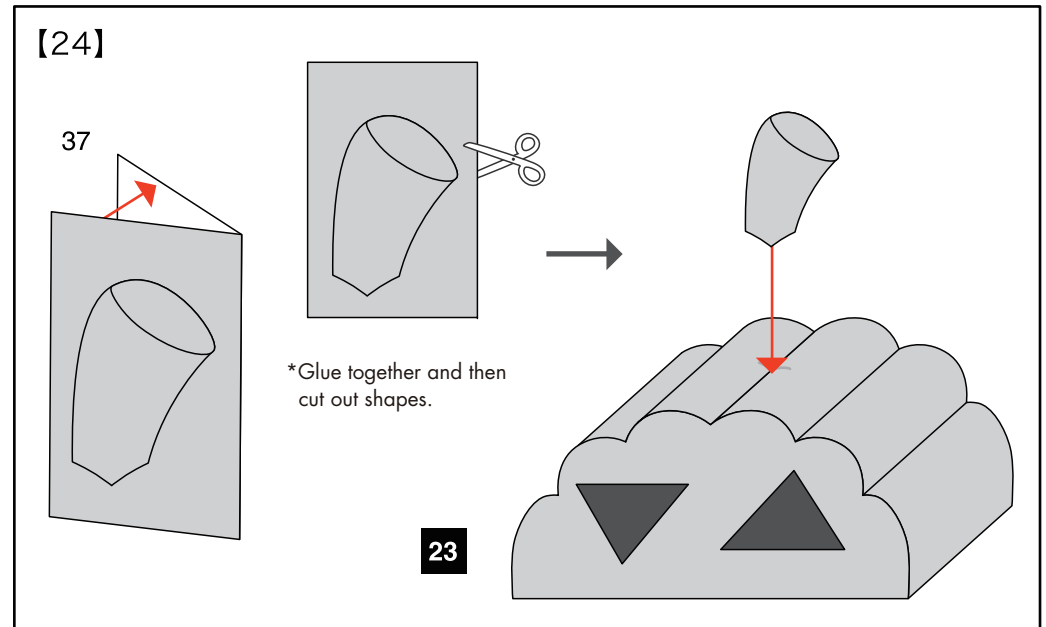
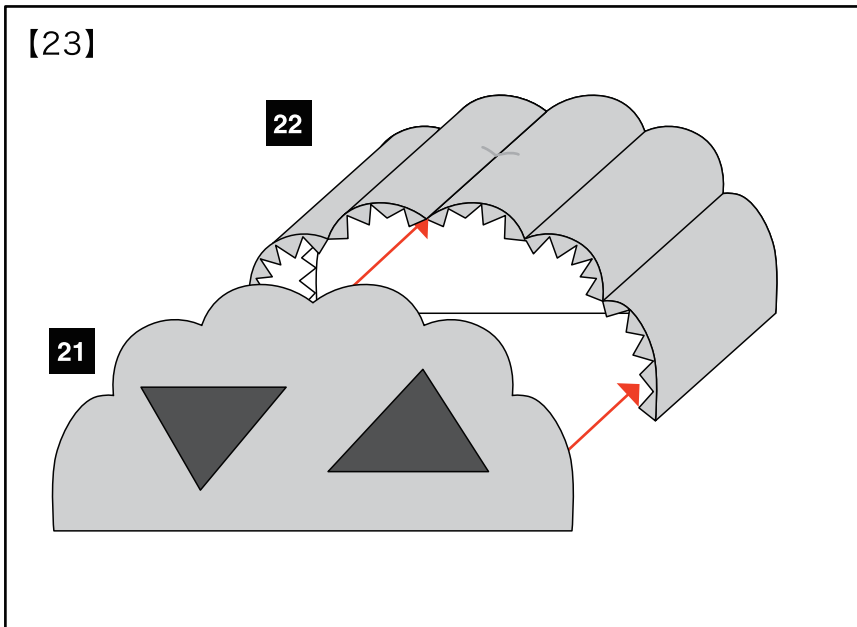
11 12 13 14

**[16]**

29a 29b

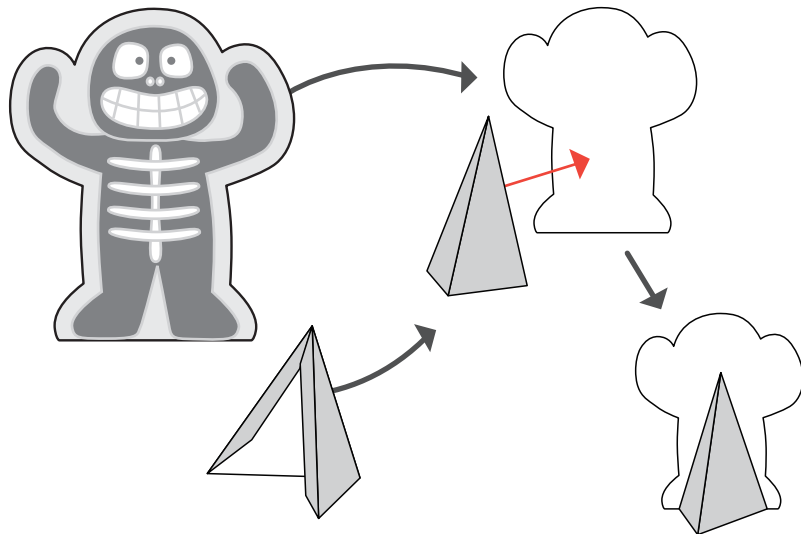








**[27]** Character assembly example

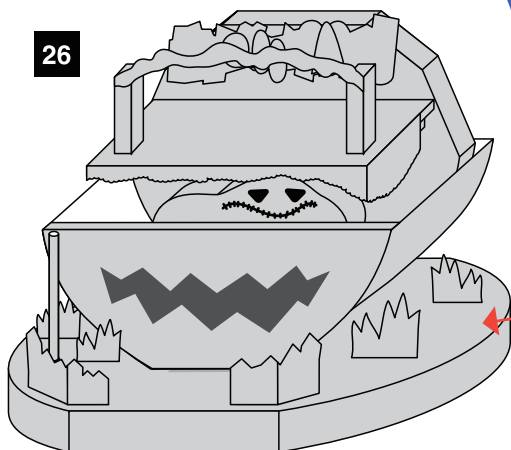


**[28]** Place characters and decorative parts as you wish.

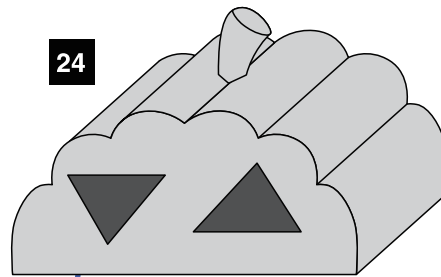


**[Example]**

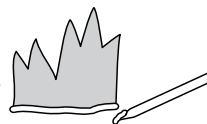
**26**



**24**



**6**



\*Apply a small amount of glue to the rim with a toothpick or similar tool.