

Alfa Romeo 8C2900B Corto

Assembly Instructions

CREATIVE PARK

<http://www.canon.com/c-park/>



View of completed model * This model was designed for Papercraft and may differ from the original in some respects.

Assembly tip

- Write the number of each part on the reverse side of the part in pencil upon cutting it out, to be sure you can tell which part is which later.
- Before gluing, crease the paper along mountain and valley fold lines. Trace along the folds with a ruler and an exhausted ballpoint pen (out of ink) to get a sharper fold.
- Make sure rounded sections are nice and stiff.

Tools

- Scissors
- Ruler, set square
- Glue (Wood glue or craft glue recommend)
- Exhausted ballpoint pen (out of ink)
- Toothpicks (for use in applying glue)
- Tweezers (useful for handling small parts)
- Pencil

Key to symbols

----- Dotted line	Mountain fold		Fold so that the printed pattern faces outside.		Fold so that the printed pattern faces inside.		Cut a notch along this line.		Cut along the center of the line.		Cut these areas out.		Dots indicate parts to be glued; dotted lines indicate approximate area for application of glue.	
- - - - - Dashed and dotted line	Valley fold												● Red dot	Glue parts with the same number together.
----- Solid line	Cut a notch along this line.												● Green dot	Glue areas within the same part together.
	Scissors mark												● Blue dot	Glue to the reverse side of the specified part.
	Cut a notch along												★ Blue star	Glue reverse side to reverse side of other part.

■ Assembly Instructions : Six A4 sheets (No. 1 to No. 6)
Build this model with careful reference to the Assembly Instructions.

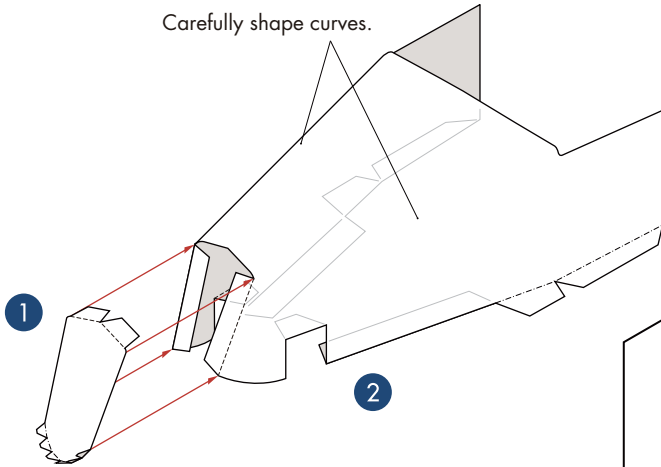


Glue, scissors and other tools may be dangerous to young children so be sure to keep them out of the reach of young children.

1

Shaded areas in diagrams indicate reverse side of parts.

Carefully shape curves.

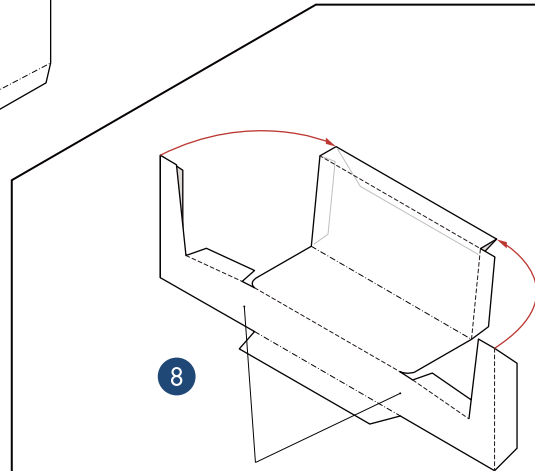


Affix with glue.



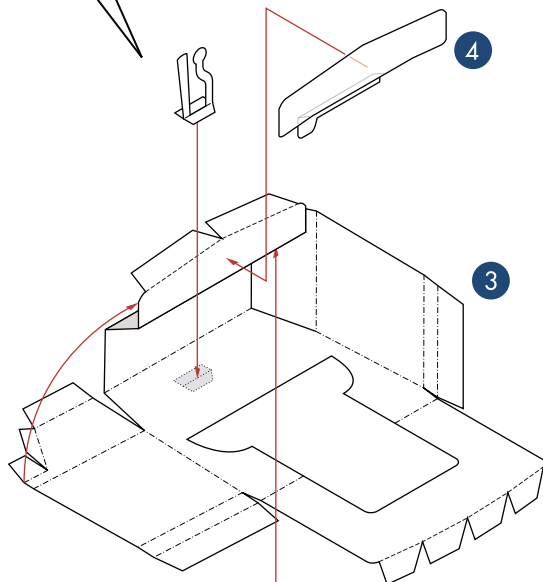
8

Carefully shape curves.



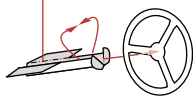
4

3

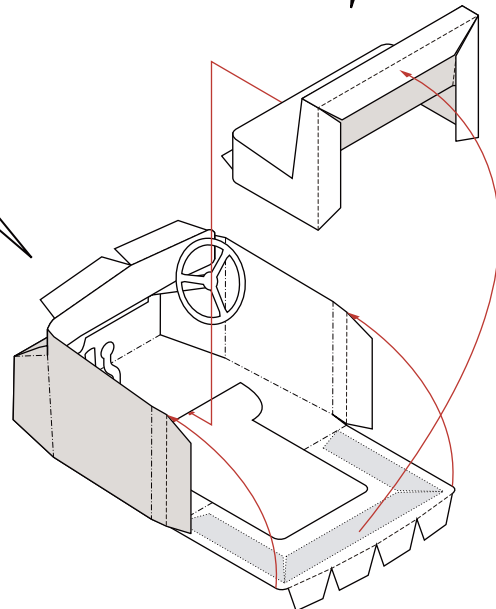


Affix with glue.

7

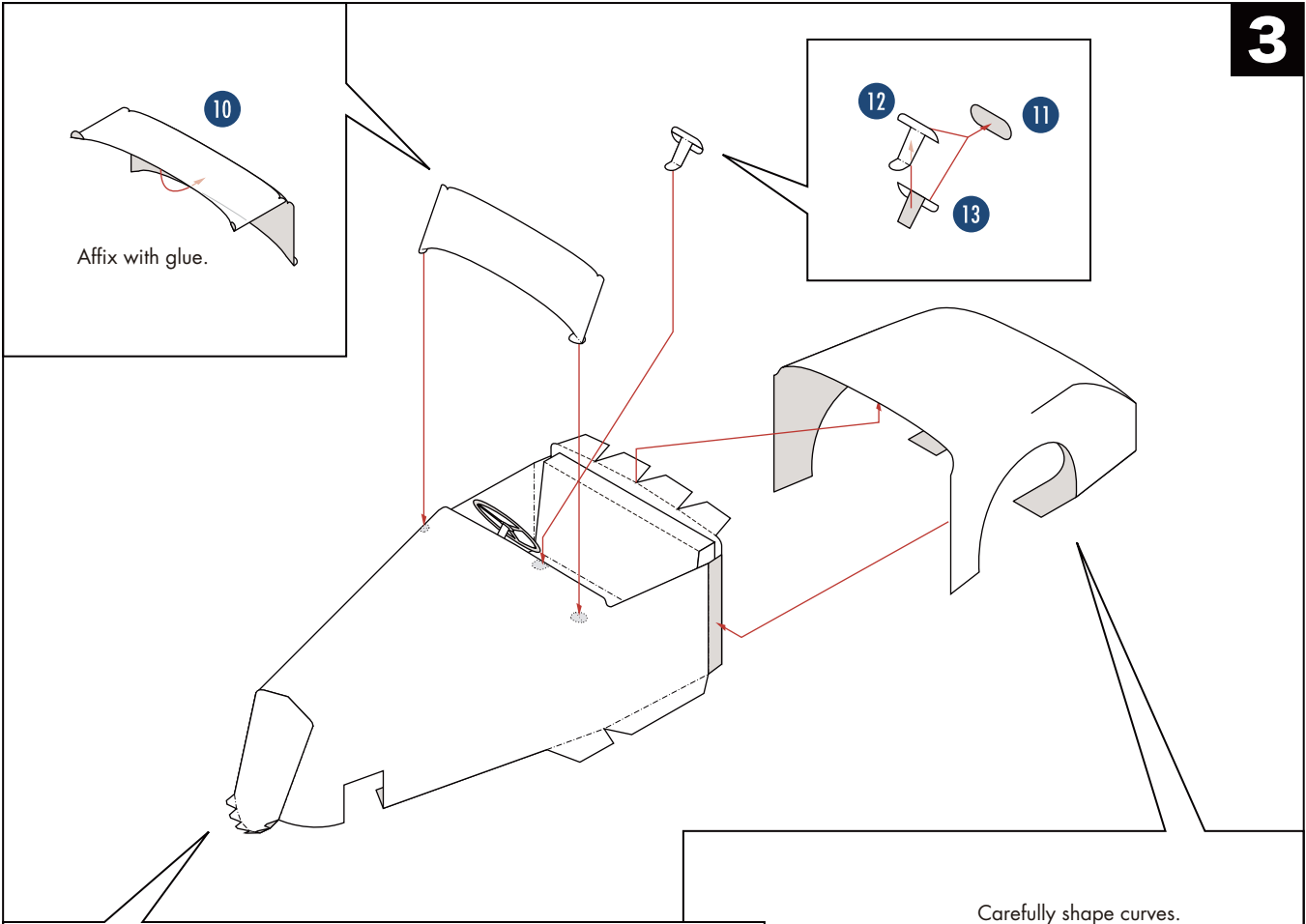
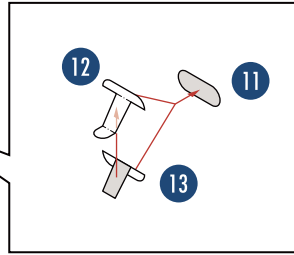
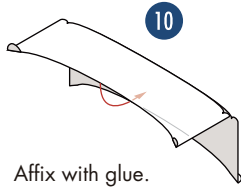


6

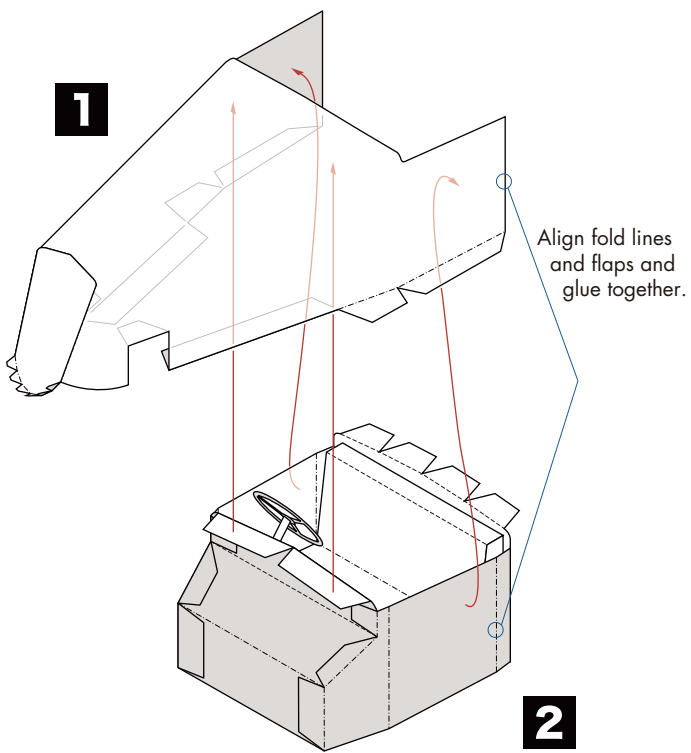


2

3



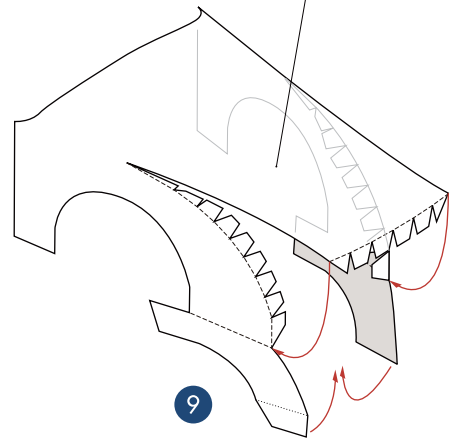
1



Align fold lines and flaps and glue together.

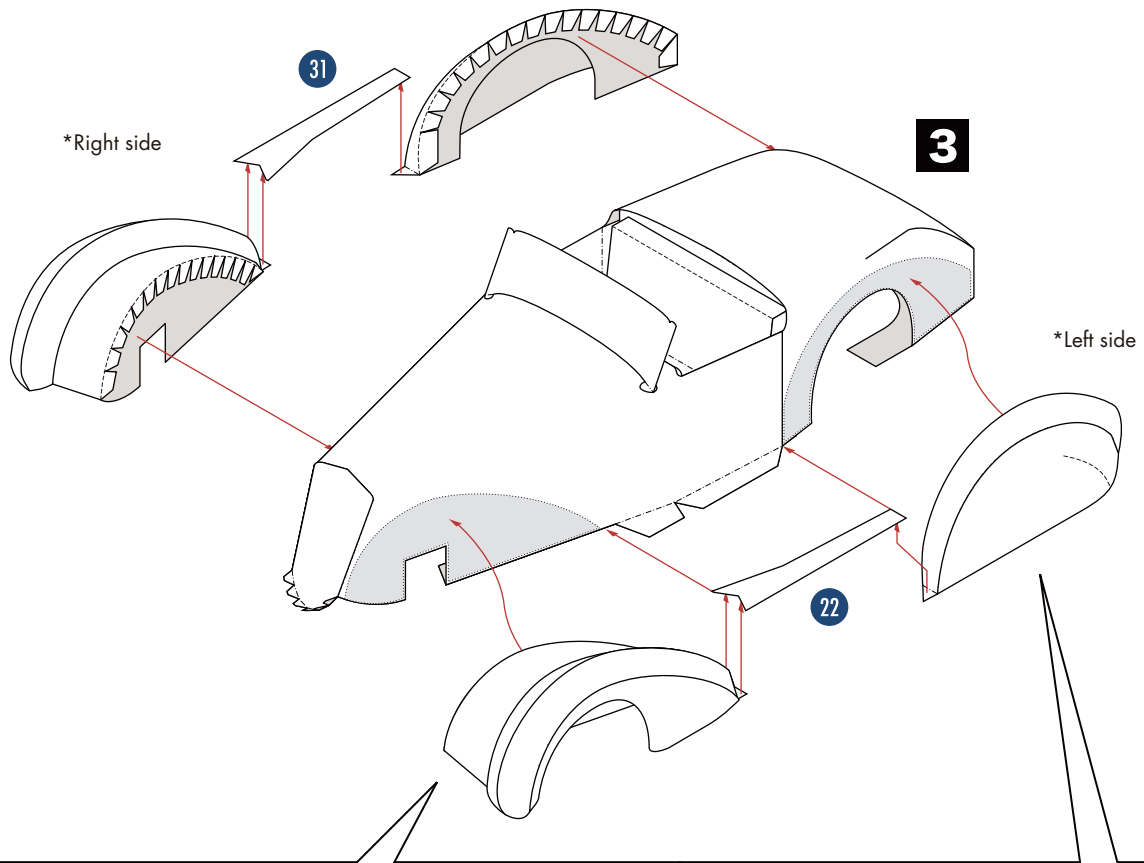
2

Carefully shape curves.

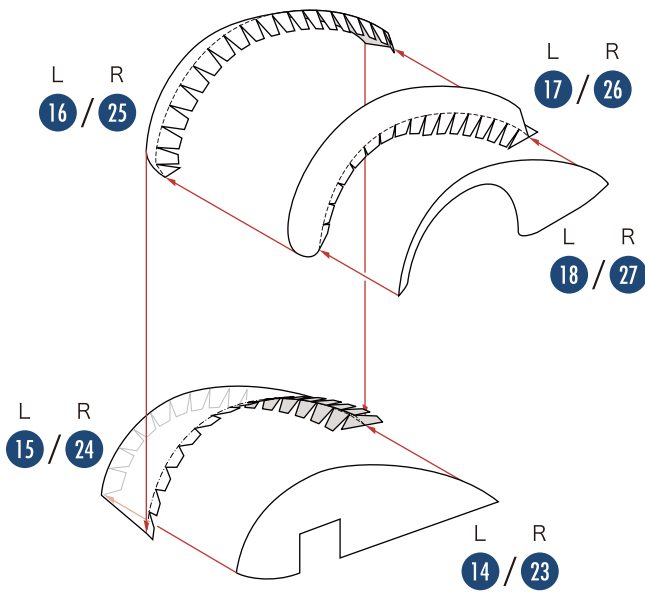


Shaded areas in diagrams indicate reverse side of parts.

4

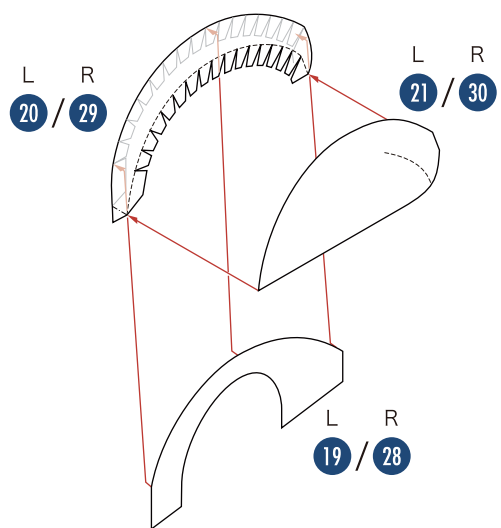


Gently shape curves.



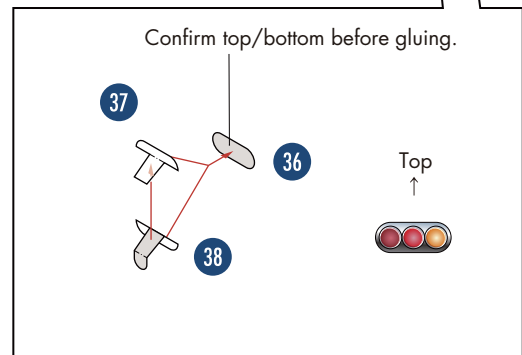
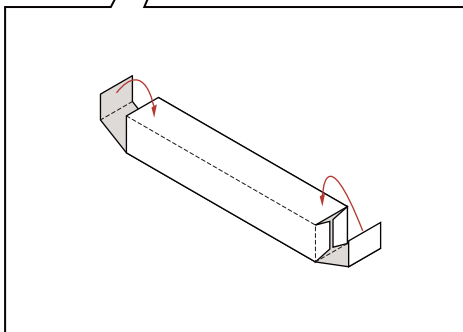
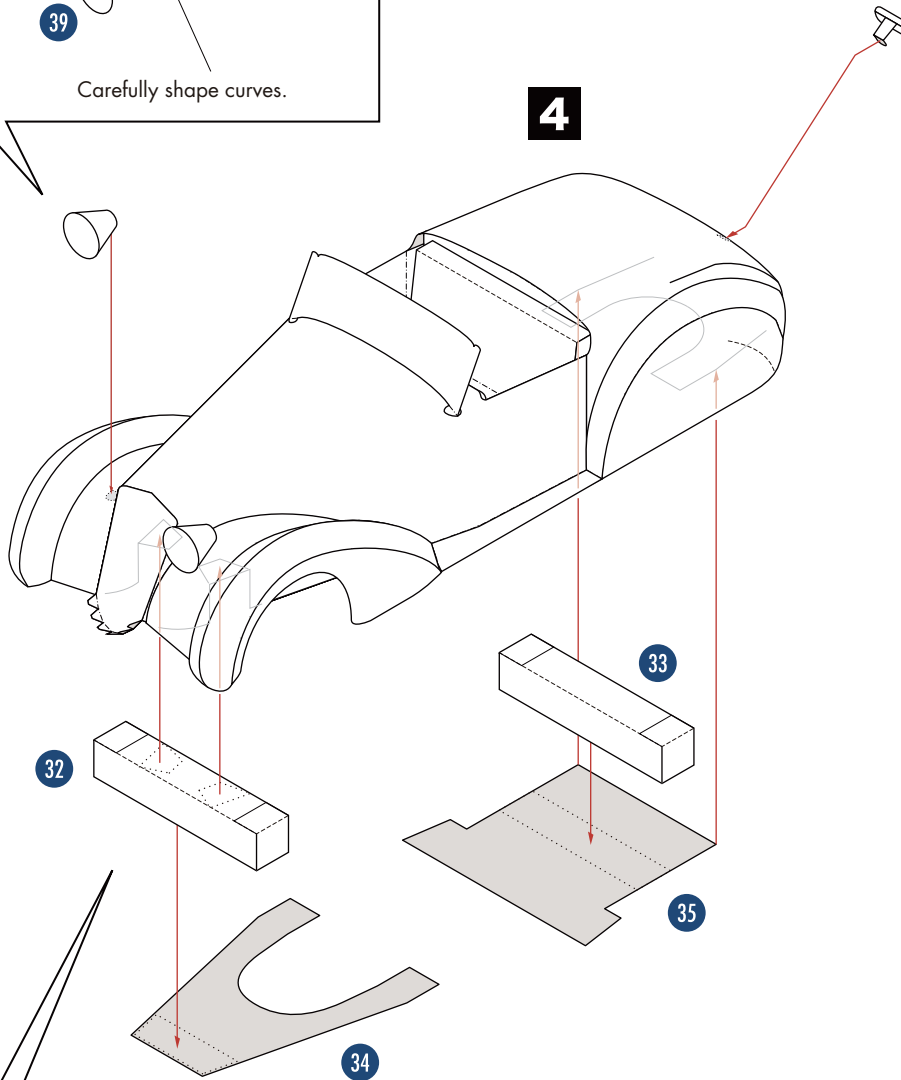
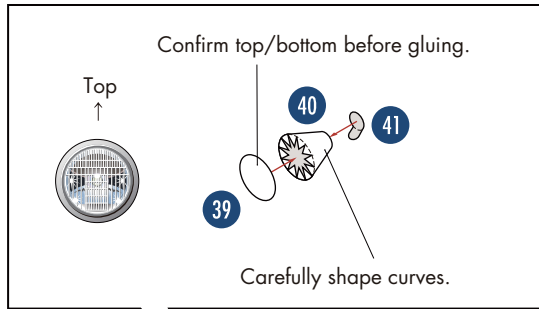
*Note different numbers for left and right parts.
*diagram is L

Gently shape curves.

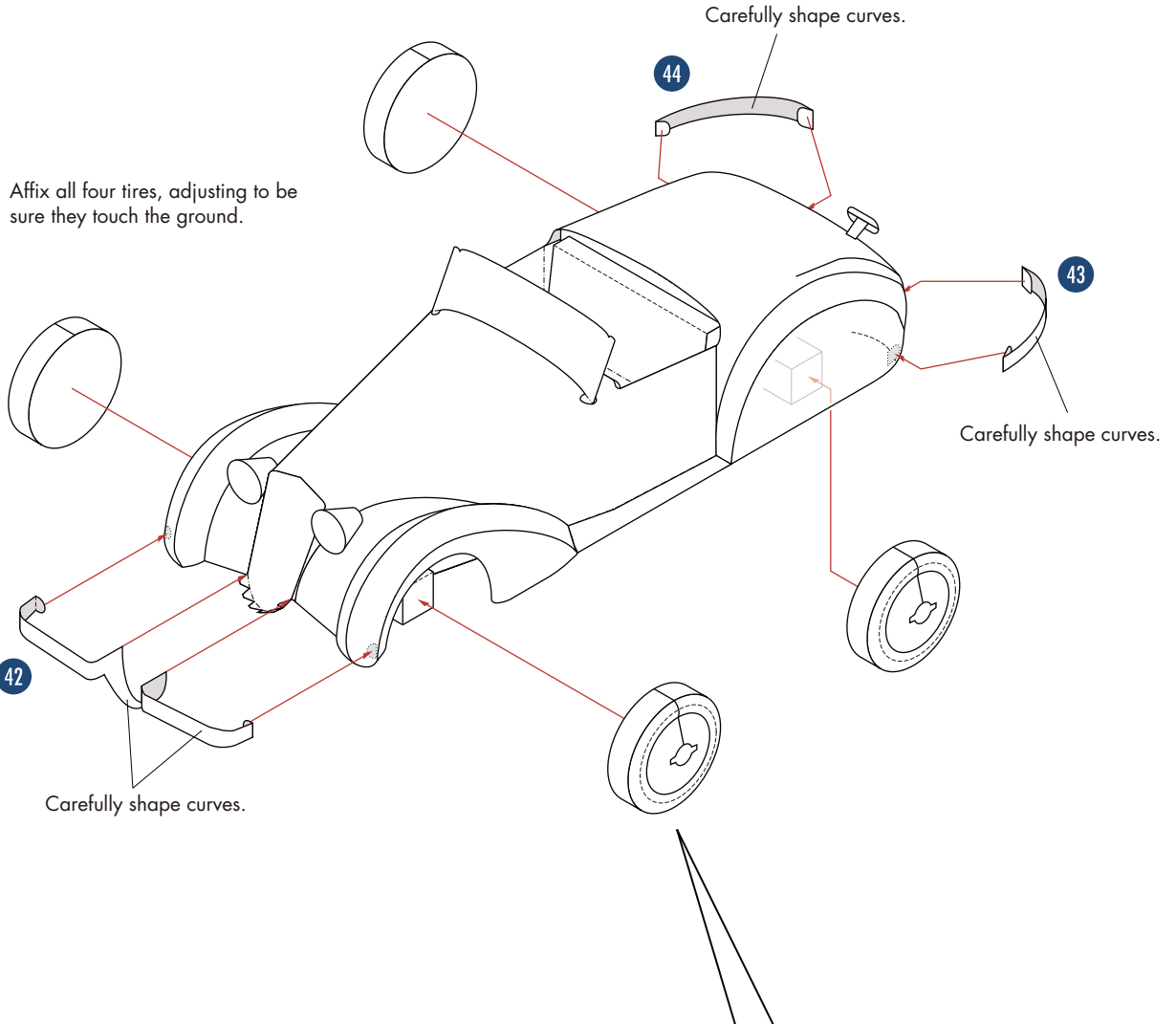


*Note different numbers for left and right parts.
*diagram is L

5



6



Glue in order, **1 - 4**.

