

Canon Pop-up Card (Teacup) : Assembly Instructions

Canon® is a registered trademark of Canon Inc. © HIROKO



1 Cut out the parts and crease them along the fold lines indicated.

● Part A



● Part D



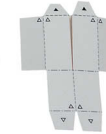
● Spoon



● Part B

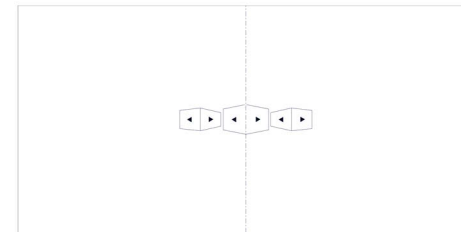


● Part C

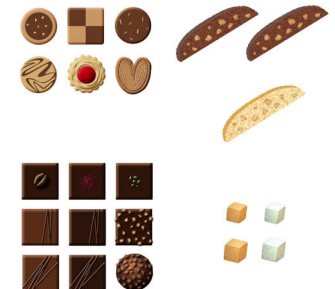


● Support

● Base



● Stickers



● Front cover



● Back cover



Assembly Instructions

..... **Mountain fold** (dotted line) ——— **Scissors line** (solid line)
*Make a mountain fold. *Cut along the line.

- - - - - **Valley fold** (dashed and dotted line) ——— **Cut in line** (solid line)
*Make a valley fold. *Make a cut.

▲ **Black triangle**
Glue here

△ **White triangle**
Glue the back



scissors, paste, a used ballpoint pen (tracing along the fold lines makes them easier to fold)

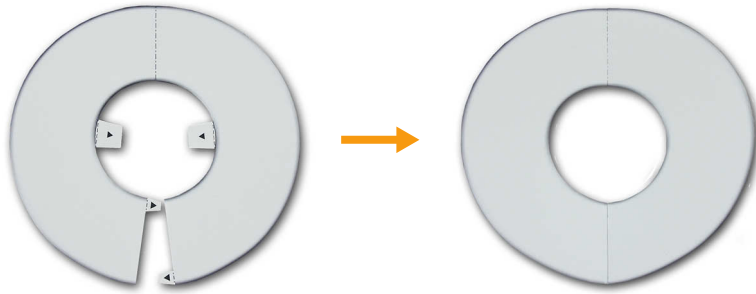


Caution: Glue, scissors, and other tools may be dangerous to young children so be sure to keep them out of the reach of young children.

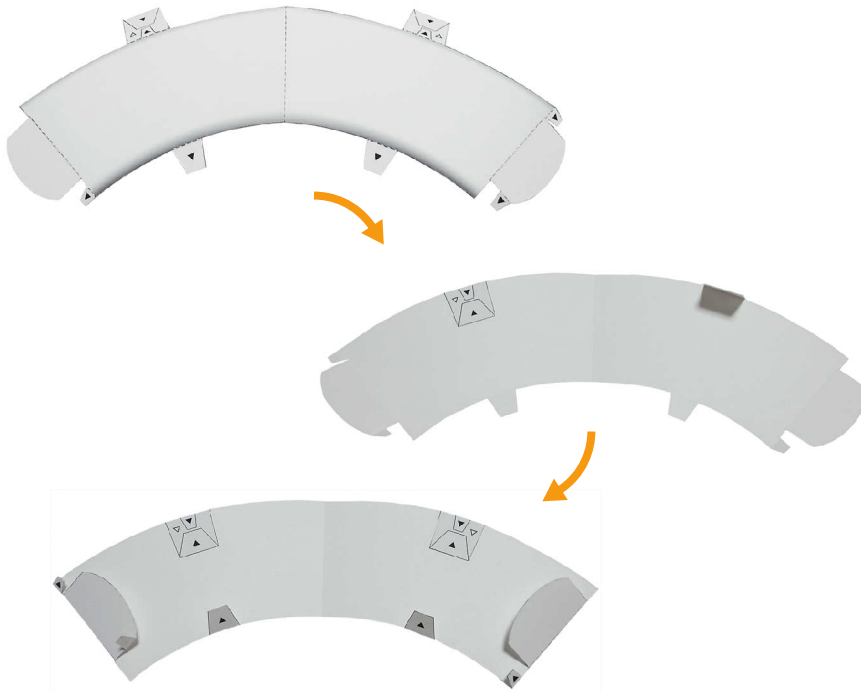
Canon Pop-up Card (Teacup) : Assembly Instructions

Canon® is a registered trademark of Canon Inc. © HIROKO

2 Glue the ends of part B and stick them together.



3 Flip part A over, fold over the upper glue spots and then stick down on the inside.



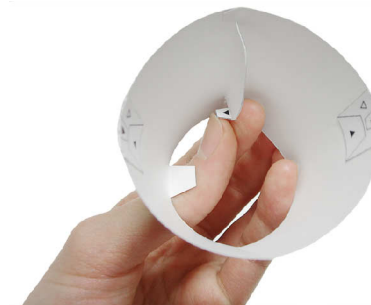
4 Curl part A.
(Use a pen or other tubular object to make the curl as shown.)



5 Glue the ends of part A and stick them together.



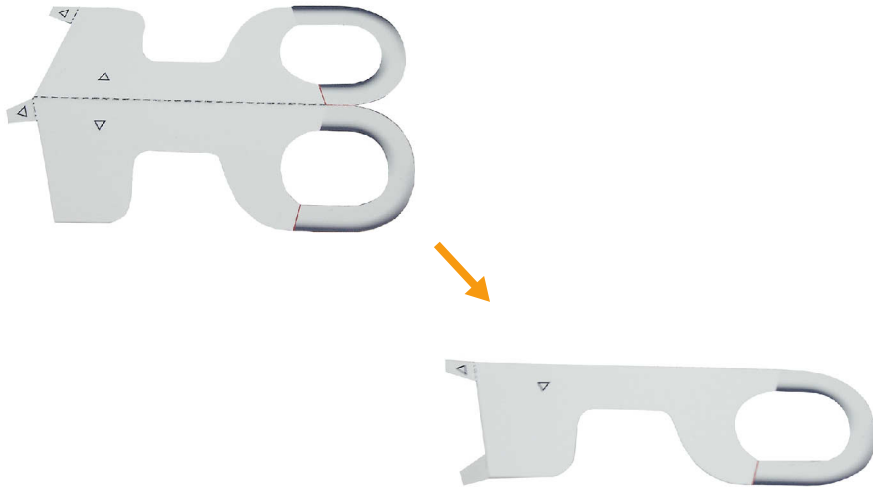
6 Fold over the support edges and glue into place.



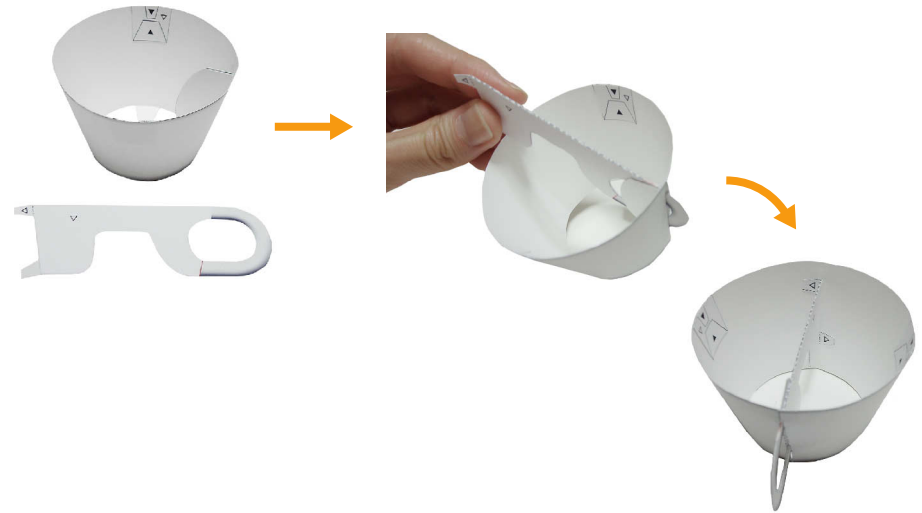
Canon Pop-up Card (Teacup) : Assembly Instructions

Canon® is a registered trademark of Canon Inc. © HIROKO

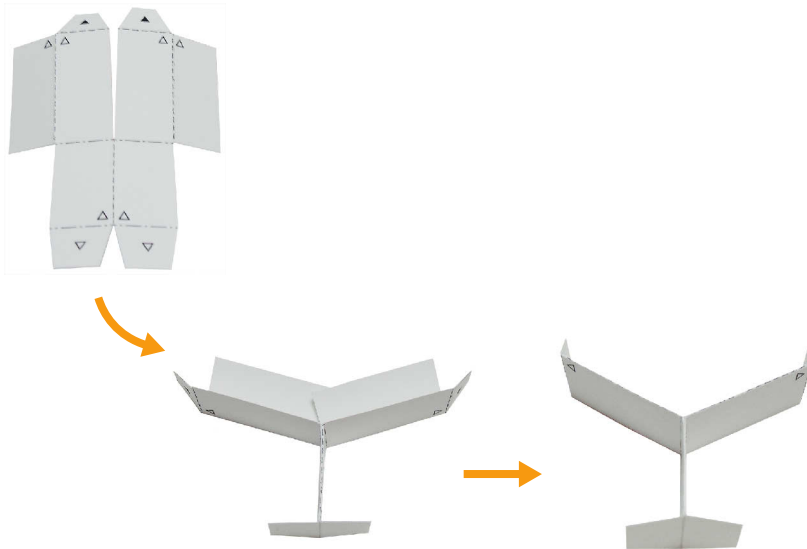
7 Fold part C along the center line and glue together on the inside.



9 Insert the support assembly 6 into assembly 7 then stick on assembly 7 at the glue spots, along the fold line on the opposite of the support.



8 Fold the support along the fold line and glue together on the inside.



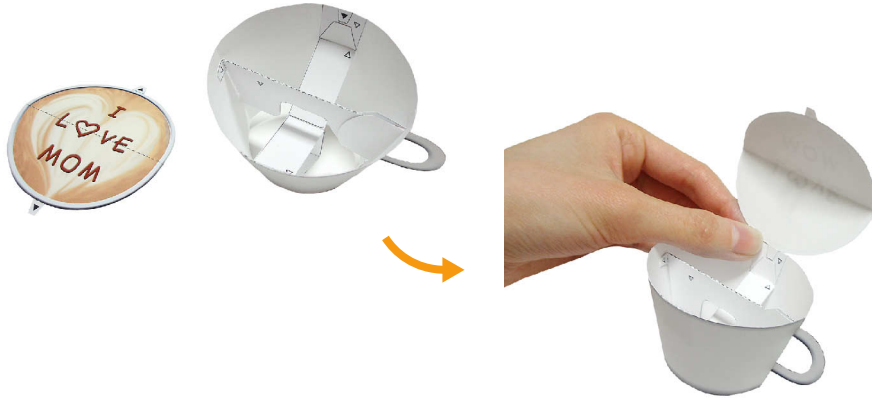
10 Stick assemblies 8 and 9 together.



Canon Pop-up Card (Teacup) : Assembly Instructions

Canon® is a registered trademark of Canon Inc. © HIROKO

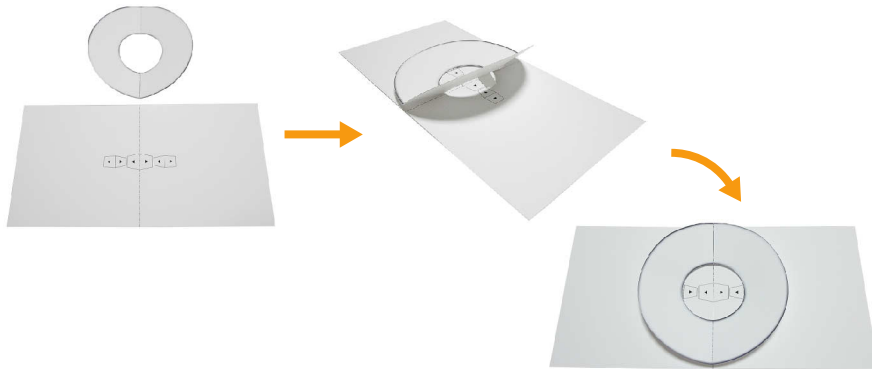
11 Stick part D and assembly 10 together at their glue spots.



14 If you like, add the spoon and stickers.



12 Glue assembly 2 to the base paper, once on each side.



15 Stick on a colored paper cover onto half of the rear side of the base paper. Be careful to stick in on in the right direction.



13 Glue assembly 11 to assembly 12, starting from the back.



16 Assembly 15 is the completed card when the cover is stuck on to the other half side.

