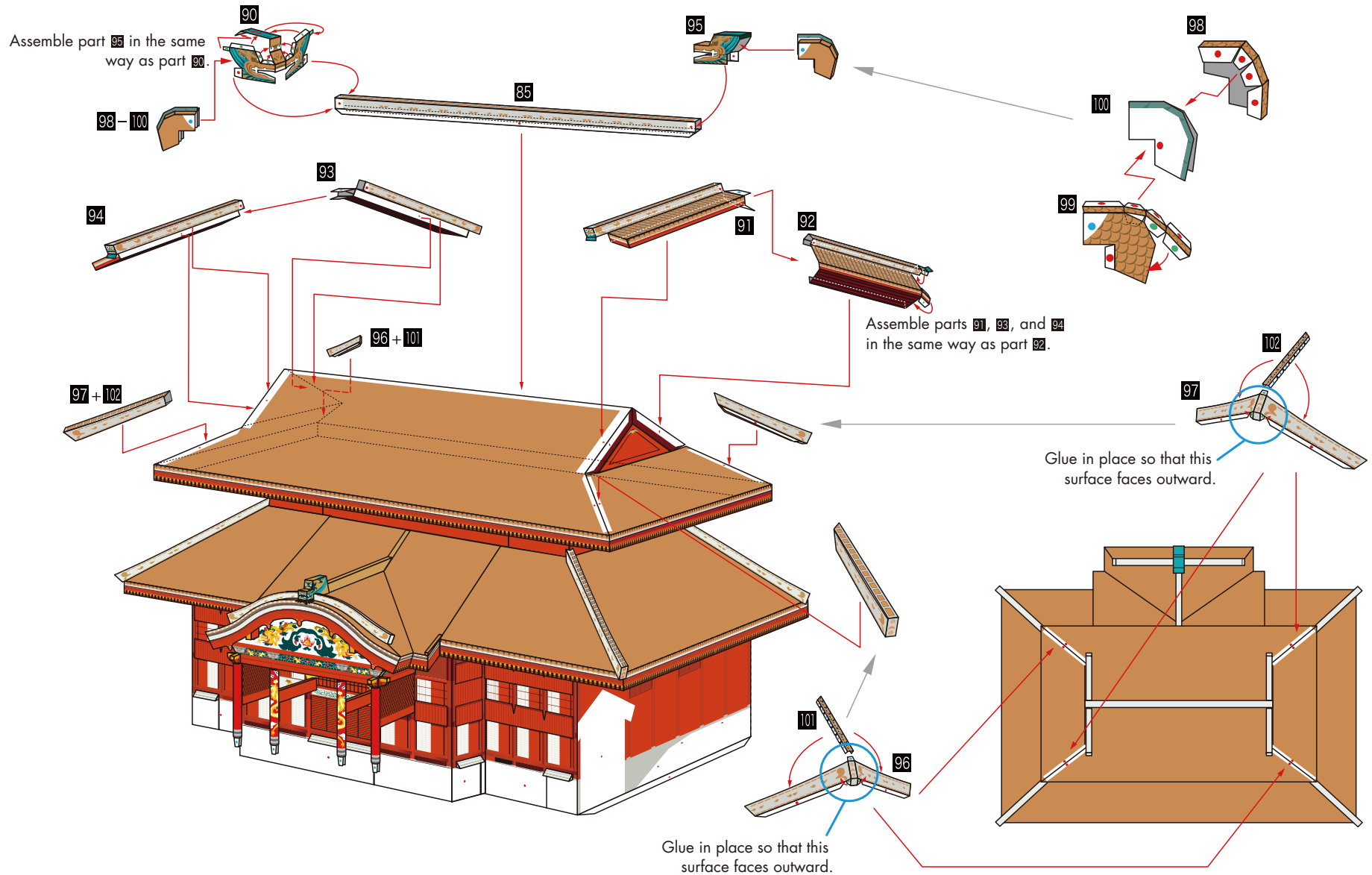


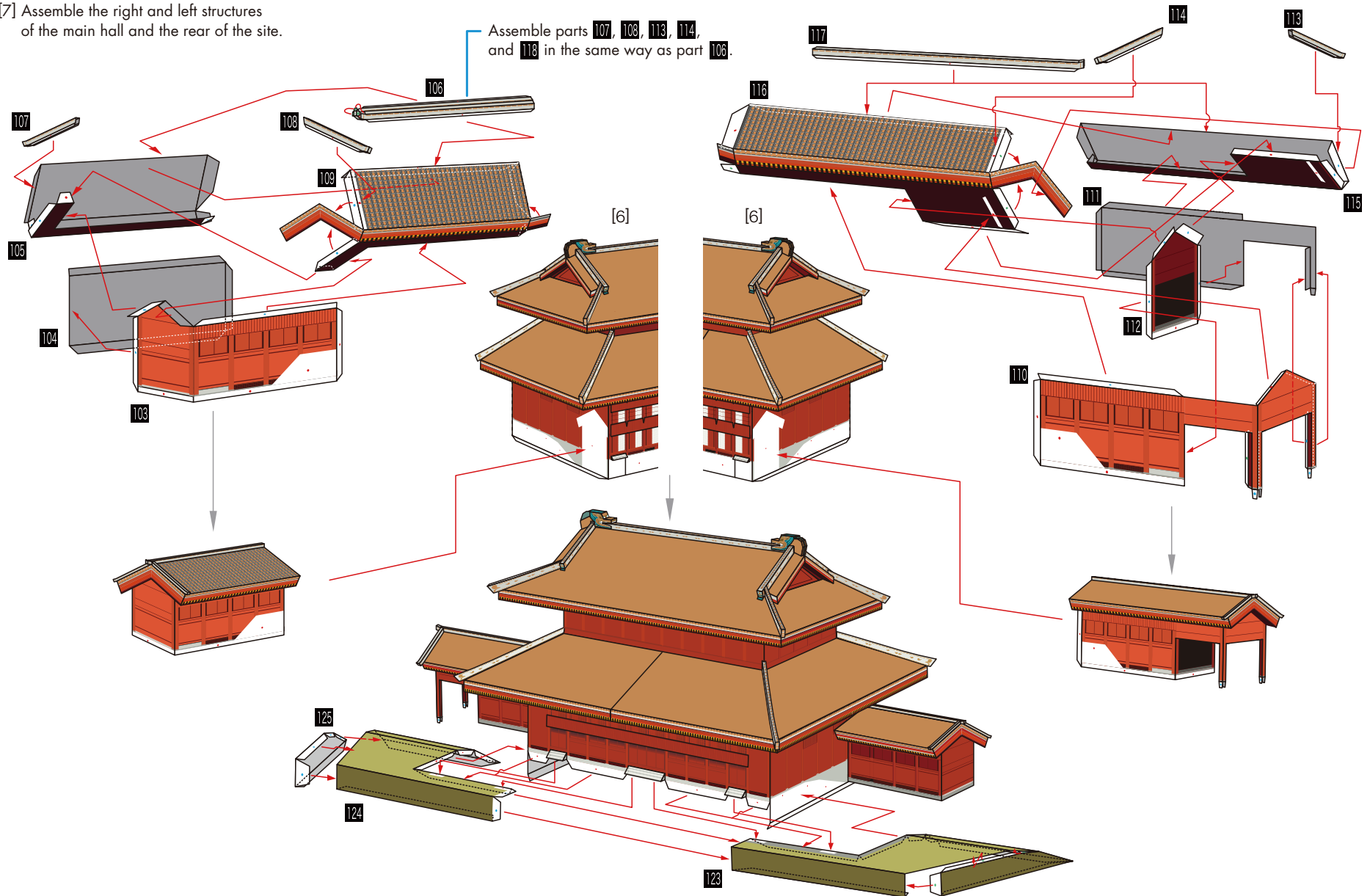
# Shuri Castle (Japan) : Assembly Instructions



# Shuri Castle (Japan) : Assembly Instructions

[7] Assemble the right and left structures of the main hall and the rear of the site.

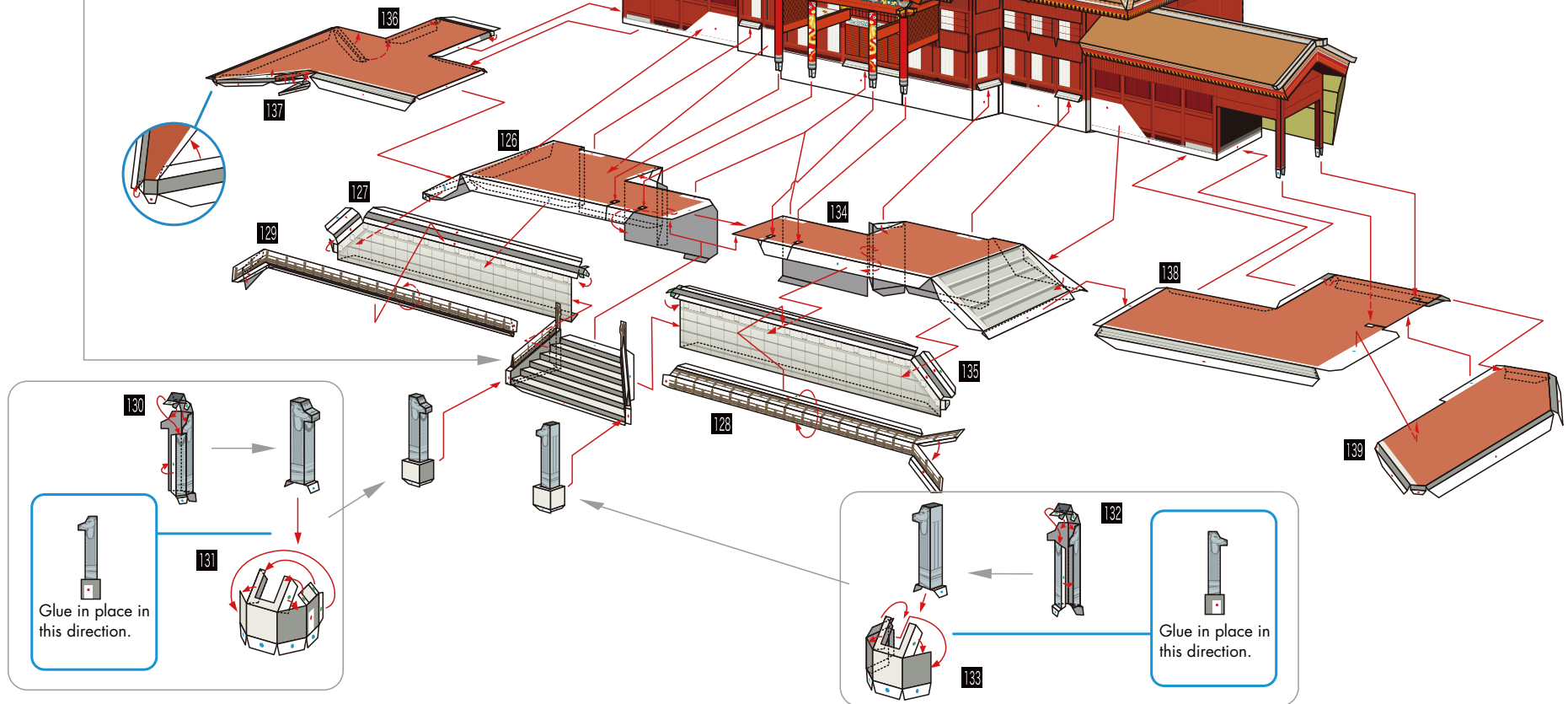
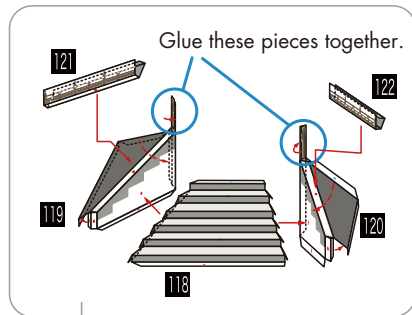
Assemble parts 107, 108, 113, 114, and 118 in the same way as part 106.



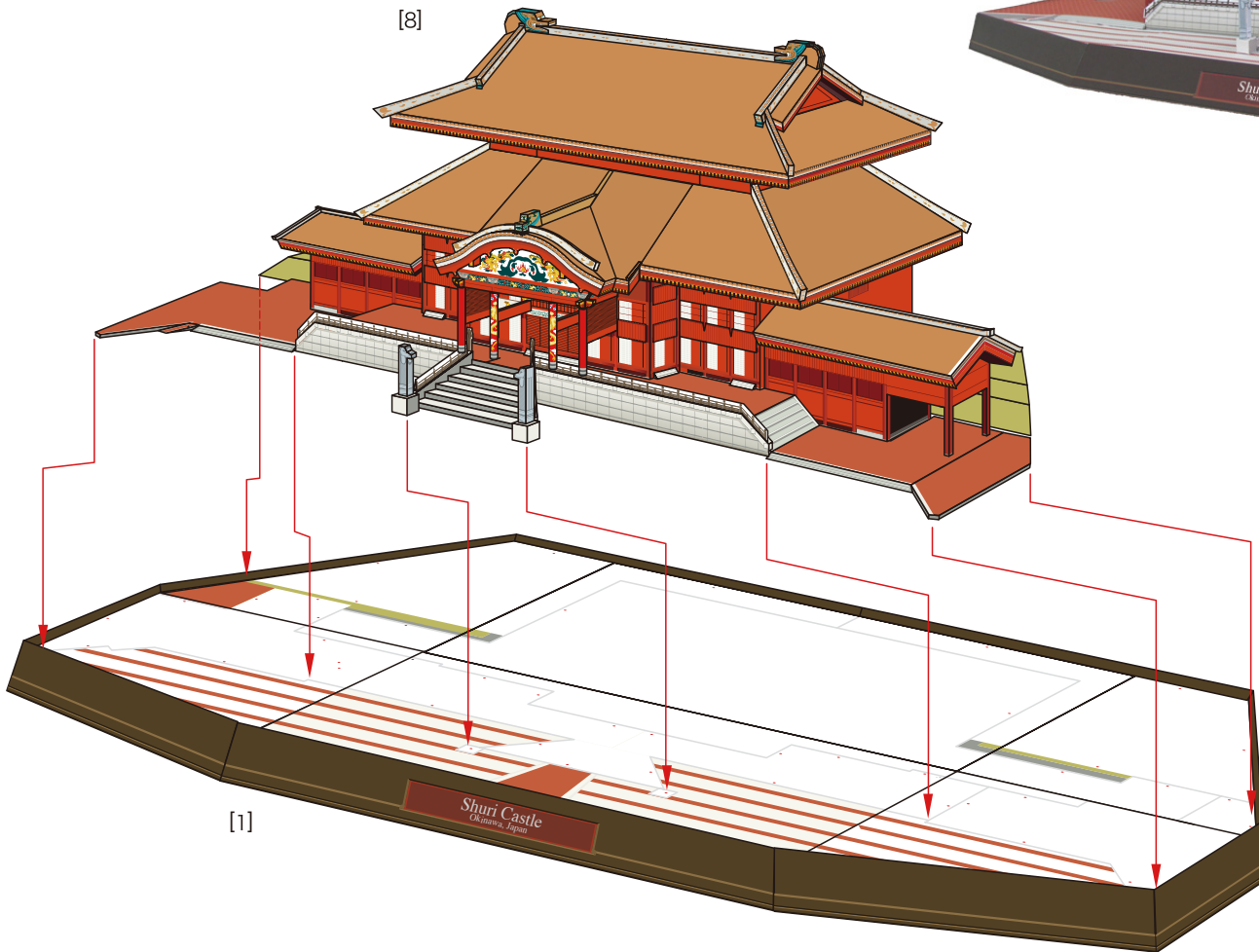
# Shuri Castle (Japan) : Assembly Instructions

[8] Assemble the front entrance to the main hall.

When gluing parts **126**, **134**, and **138** to pillar [7], glue the tabs to the rear side after inserting the pillar.



[9] Glue the main hall building to the base.



Finished!