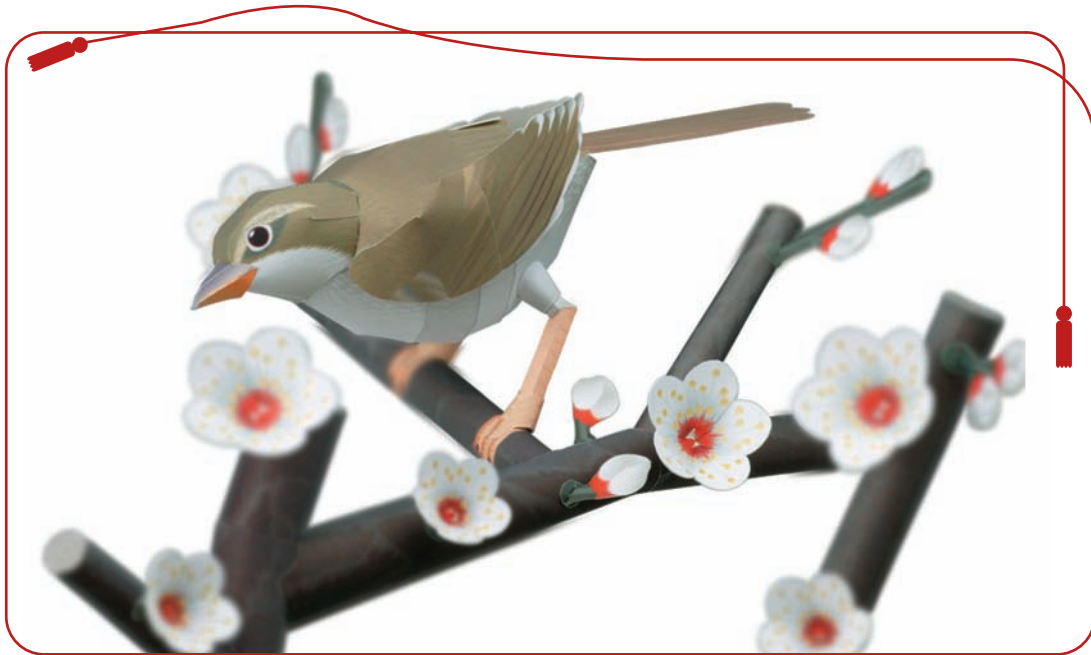


## PAPER CRAFT

# Seasonal Scenes of Japan

## *Plum blossoms and a Japanese bush warbler*

### Assembly Instructions



Thank you for downloading this paper craft model of the Plum blossoms and a Japanese bush warbler. By matching the names and numbered parts in the instructions, you and your family can complete a paper craft model.

- Assembly instructions: Eight A4-sized sheets.
- Paper craft: Three A4-sized sheets with 48 parts in all

These instructions apply only to the "Plum blossoms and a Japanese bush warbler." These Paper Craft parts are easier to work with when printed out on strong, thick paper (like postcard stock).

## 1 To begin

### ■ Tools and materials needed

-Ruler - scissors - blade cutter or "Exacto-knife" - awl or other pointed tool (for making a folding crease) - felt pen - pin set - glue - hand towel ( for cleaning your fingers) - dictionary or other heavy book ( to press the papers flat).

### ■ Items of Caution

\*Take care when using sharp or pointed objects or when using bladed cutting tools. Place a heavy sheet of paper under the paper you want to cut.

\*Use glue and other adhesives only in well-ventilated areas.

\*When printing, use a slightly reduced font size. There may be differences in dimensions, depending on the type of printer used.

## 2 How to assemble

\*Follow the working method and markings carefully.

\*Cut carefully along the outer line with cutting blade, Exacto-knife or scissors.

### One - point Advice

\*Cut carefully with cutting blade, Exacto-knife or scissors.

\*For folding parts, first use an awl or other pointed tool to make a light crease along the dotted or solid line. This will make the folds straight. Avoid making strong creases, as this will cause the paper to tear.

\*As an adhesive, white wood glue is recommended. Avoid over application as this may cause the paper to wrinkle.

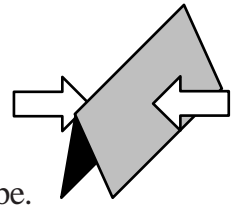
\*Before beginning assembly, test adhesive amounts on extra paper.

\*Occasionally, white spots will be apparent on folds and cuts. Use a marker or pencil to fill in these spots. It is recommended that this be done after each stage of assembly because coloring becomes more difficult once parts are assembled.

## Basic working method and markings

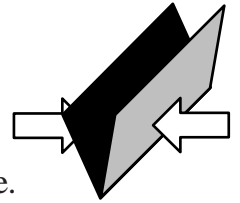
### ————— Solid lines

Fold along these lines.  
The printed surface should be on the outside of the folded shape.



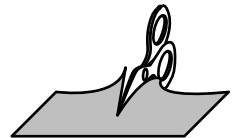
### ----- Broken lines

Fold along these lines.  
The printed surface should be on the inside of the folded shape.

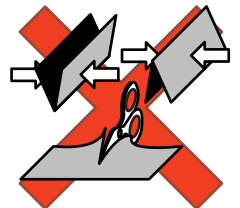


### ----- Dotted line

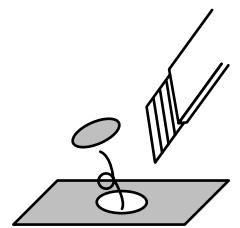
Cut along these lines.



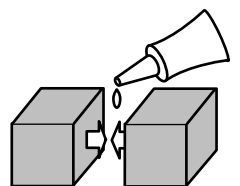
Do not fold or cut the parts marked X.



Cut out parts marked with an asterisk(\*).



Red dots are the reference positions for gluing surfaces.



# 3 Assembly

Please refer to the "Basic working method and markings" symbol chart on Page 2 to assemble each part.

Indication of Working Methods ---> Fold or Curve -> Glue

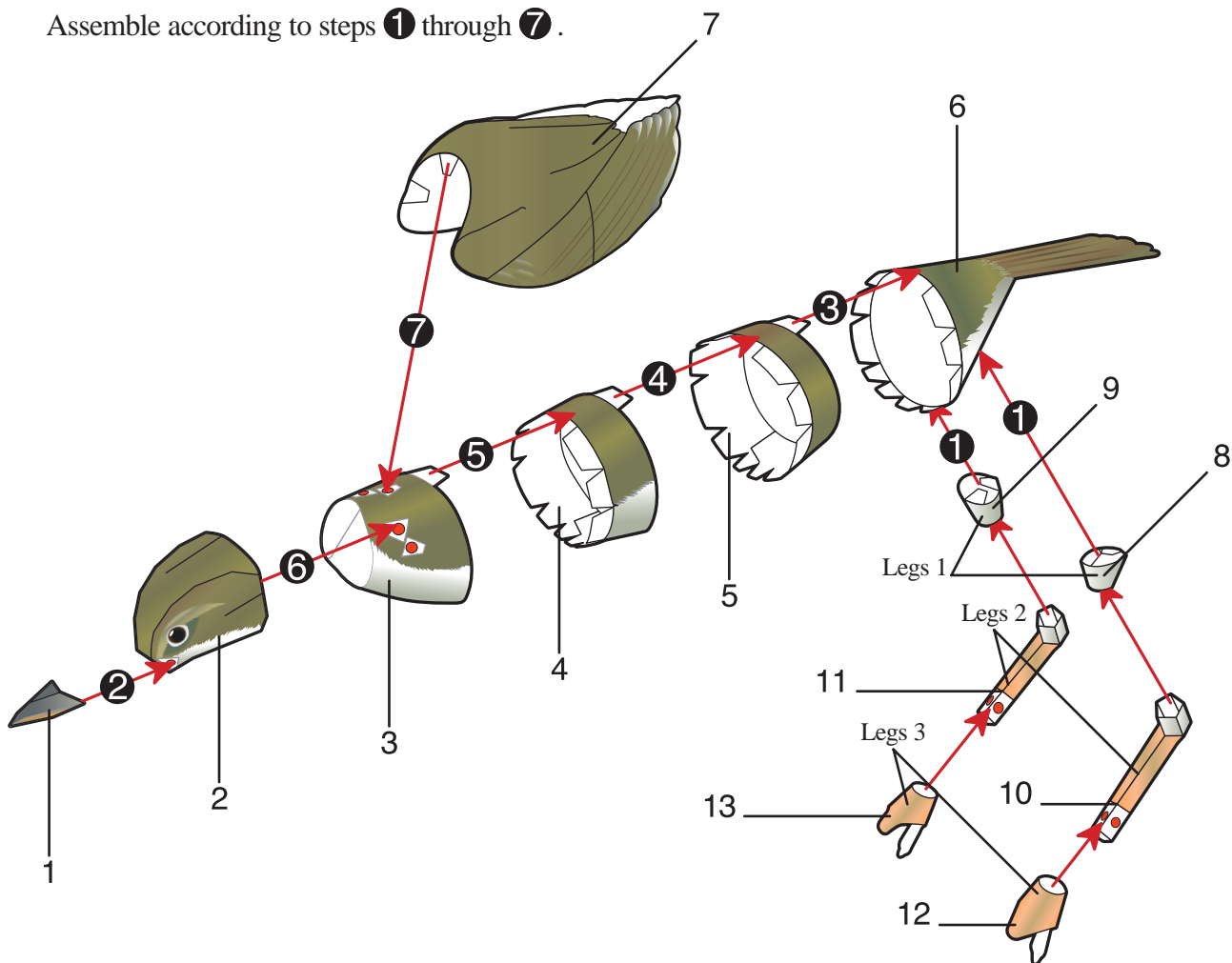
## Plum blossoms and a Japanese bush warbler

### 1. Assembly of Japanese bush warbler

Fold each relevant part according to the assembly symbols.

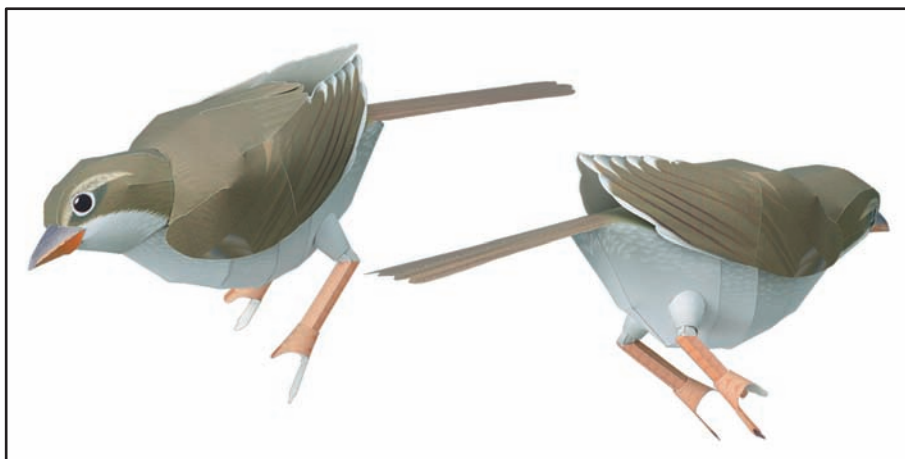
Please use the ● dots on each component as reference when gluing surfaces.

Assemble according to steps ① through ⑦.



\* Do not attach Legs 2 to Legs 1 and Legs 3 at this stage.

### Reference photo

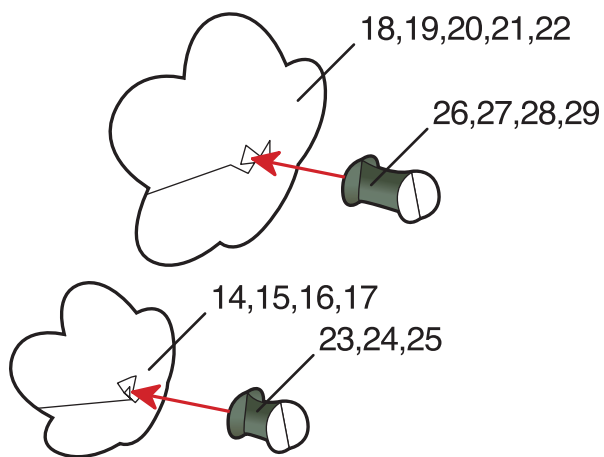


Please refer to the "Basic working method and markings" symbol chart on Page 2 to assemble each part.

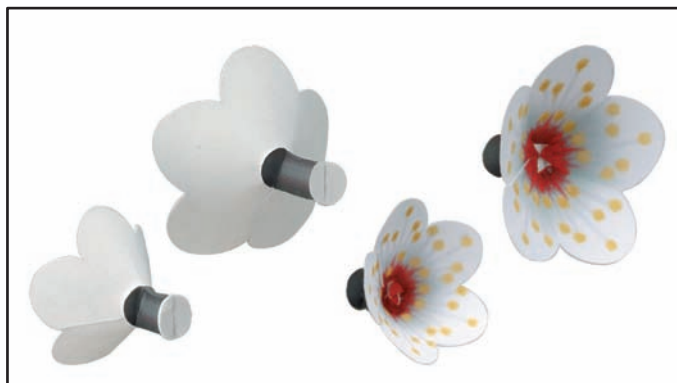
Indication of Working Methods  Fold or Curve  Glue

## Plum blossoms and a Japanese bush warbler

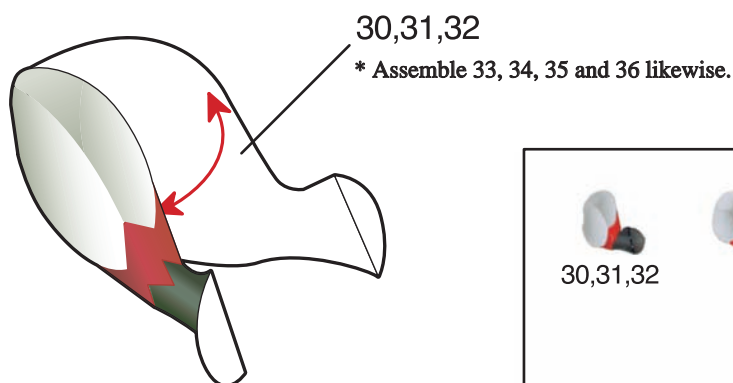
**2.Assembly of Flowers** Fold each relevant part according to the assembly symbols.  
Please use the ● dots on each component as reference when gluing surfaces.



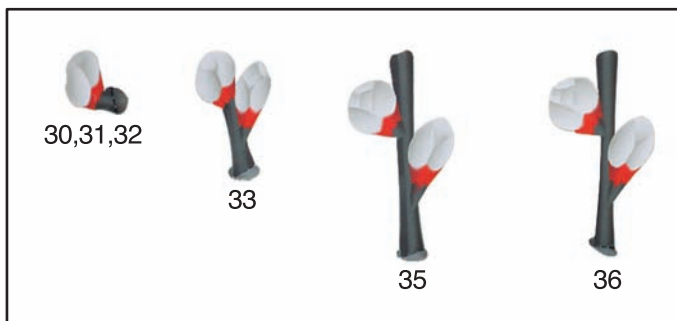
Reference photo



## 3.Assembly of Buds

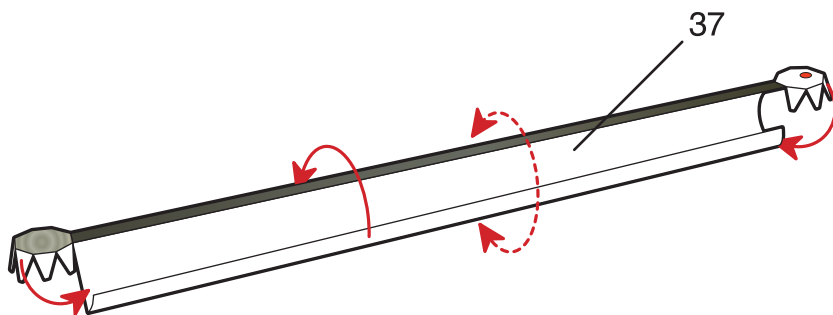


Reference photo



## 4.Assembly of Branch 1

Reference photo



# 3 Assembly

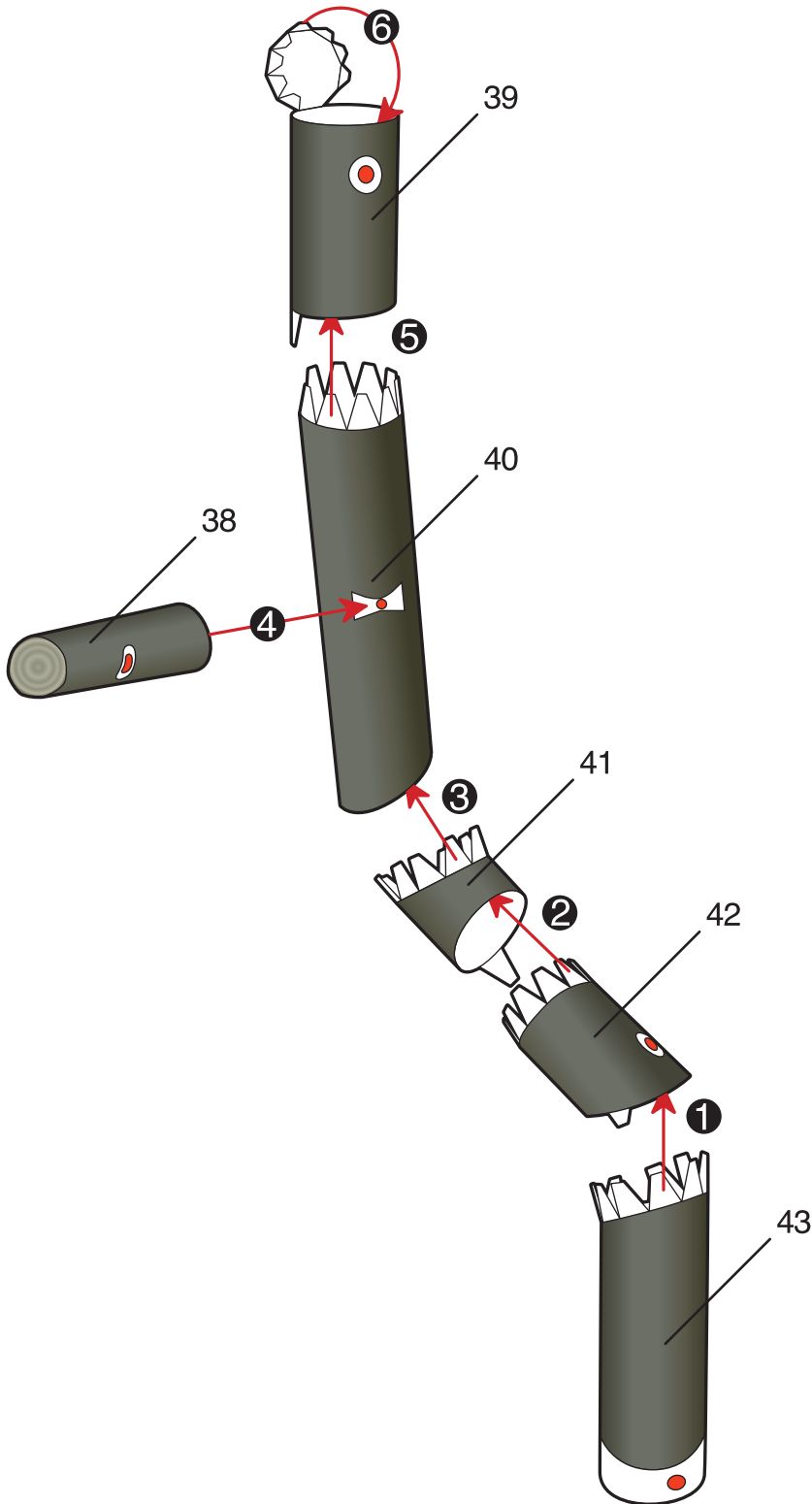
Please refer to the "Basic working method and markings" symbol chart on Page 2 to assemble each part.

Indication of Working Methods  Fold or Curve  Glue

## Plum blossoms and a Japanese bush warbler

### 5. Assembly of Branch 2

Fold each relevant part according to the assembly symbols. Please use the ● dots on each component as reference when gluing surfaces. Assemble according to steps ① through ⑥.



Reference photo



Please refer to the "Basic working method and markings" symbol chart on Page 2 to assemble each part.

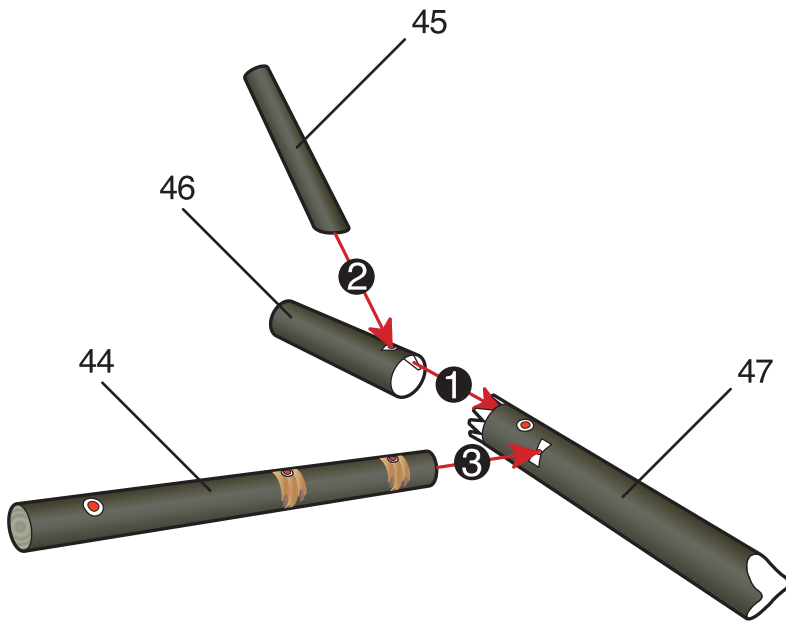
Indication of Working Methods

---> Fold or Curve    -> Glue

## Plum blossoms and a Japanese bush warbler

### 6.Assembly of Branch 3

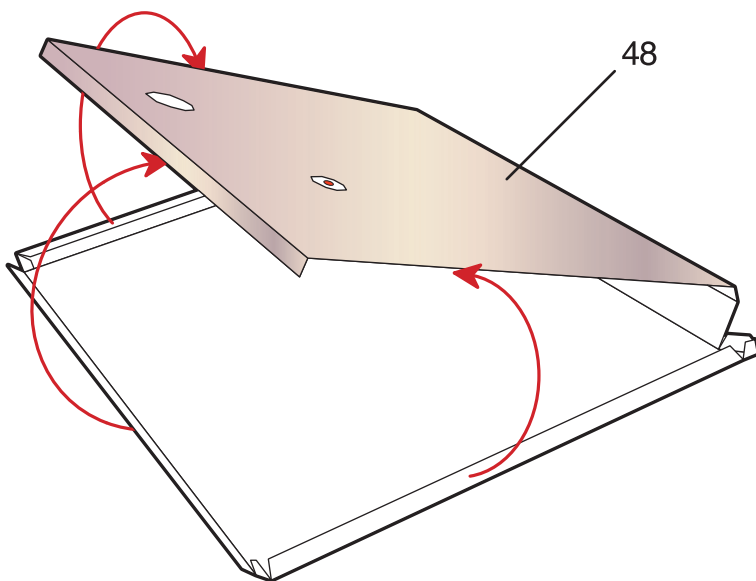
Fold each relevant part according to the assembly symbols. Please use the ● dots on each component as reference when gluing surfaces. Assemble according to steps ① through ③.



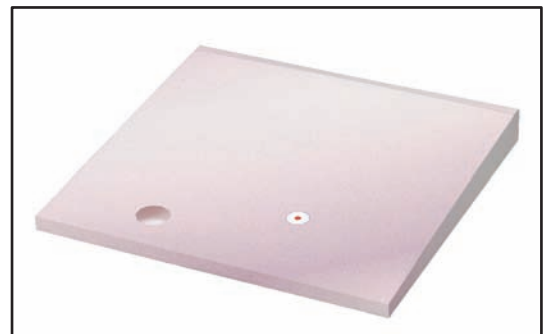
Reference photo



### 7.Assembly of Stand



Reference photo



Please refer to the "Basic working method and markings" symbol chart on Page 2 to assemble each part.

Indication of Working Methods Fold or Curve Glue

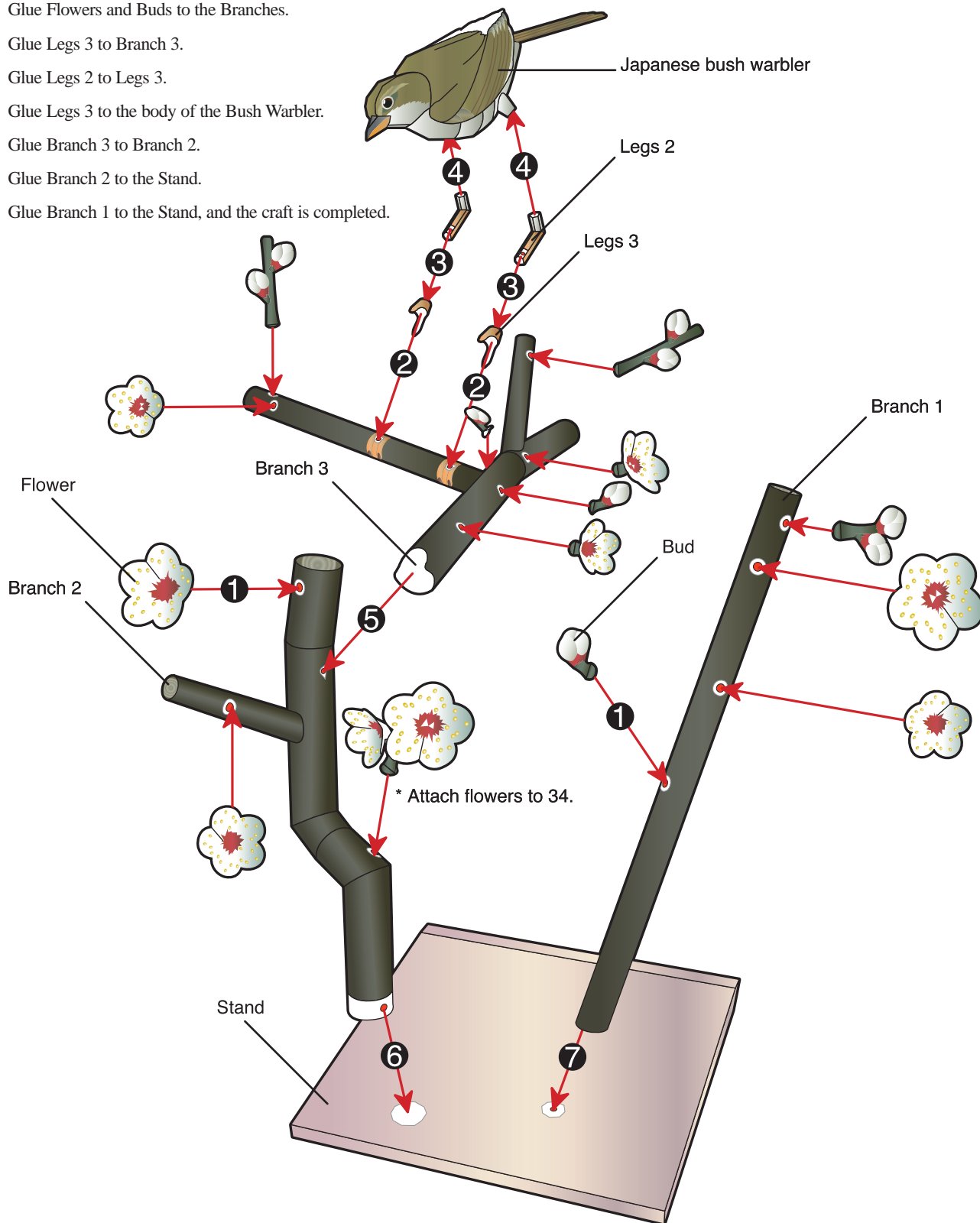
## Plum blossoms and a Japanese bush warbler

**8. Finish** Please use the ● dots on each component as reference when gluing surfaces.

Assemble according to steps ① through ⑦.

### Procedure

- ① Glue Flowers and Buds to the Branches.
- ② Glue Legs 3 to Branch 3.
- ③ Glue Legs 2 to Legs 3.
- ④ Glue Legs 3 to the body of the Bush Warbler.
- ⑤ Glue Branch 3 to Branch 2.
- ⑥ Glue Branch 2 to the Stand.
- ⑦ Glue Branch 1 to the Stand, and the craft is completed.



## 4 Completion

Here are pictures of the completed models.  
Please refer to them when assembling.

