

POP-UP GREETING CARD

scene **1** Street Motorcycle — **Let's ride through the street!**

Assembly Instructions

It is very important to assemble and glue parts in exact order as instructed to create this pop-up greeting card.

Please follow these assembly instructions, cross-checking the part numbers on the parts sheet.



We recommend to print out the parts data on A4 inkjet printer paper for paper-craft, sturdy paper or card.

These are assembly instructions for the "Pop-up greeting card - scene 1".
Please download the parts data, the message card, and the external cover data separately.

Published: 24th September 2010

To begin

Tools and materials needed

-Ruler - scissors - blade cutter or "Exacto-knife" - awl or other pointed tool - Embosspen - Transer (for making a folding crease) - felt pen - pin set - glue - hand towel (for cleaning your fingers) - dictionary or other heavy book (to press the papers flat).

Items of Caution

*Take care when using sharp or pointed objects or when

using bladed cutting tools. Place a heavy sheet of paper

under the paper you want to cut.

*Use glue and other adhesives only in well-ventilated areas.

*When printing, use a slightly reduced font size. There

2

How to assemble

*Follow the working method and markings carefully.

*Cut carefully along the outer line with cutting blade, Exacto-knife or scissors.

One - point Advice

*Cut carefully with cutting blade, Exacto-knife or scissors.

*For folding parts, first use an awl or other pointed tool to make a light crease along the dotted or solid line. This will make the folds straight. Avoid making strong creases, as this will cause the paper to tear.

*Please note that applying too much glue will cause the paper to crease. Use spray glue for wider surfaces.

*Before beginning assembly, test adhesive amounts on extra paper.

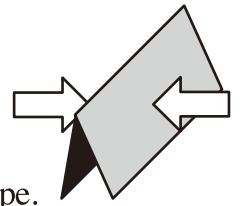
*Occasionally, white spots will be apparent on folds and cuts. Use a marker or pencil to fill in these spots. It is recommended that this be done after each stage of assembly because coloring becomes more difficult once parts are assembled.

Basic working method and markings

————— Solid lines

Fold along these lines.

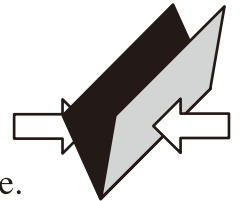
The printed surface should be on the outside of the folded shape.



----- Broken lines

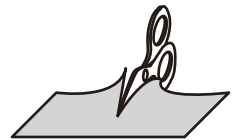
Fold along these lines.

The printed surface should be on the inside of the folded shape.

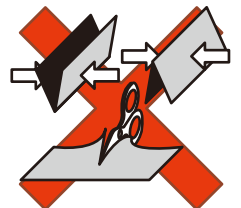


..... Dotted line

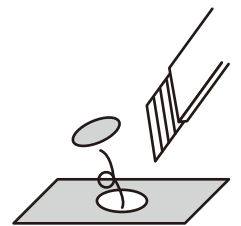
Cut along these lines.



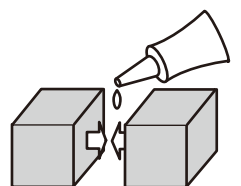
Do not fold or cut the parts marked X.



Cut out parts marked with an asterisk(*).



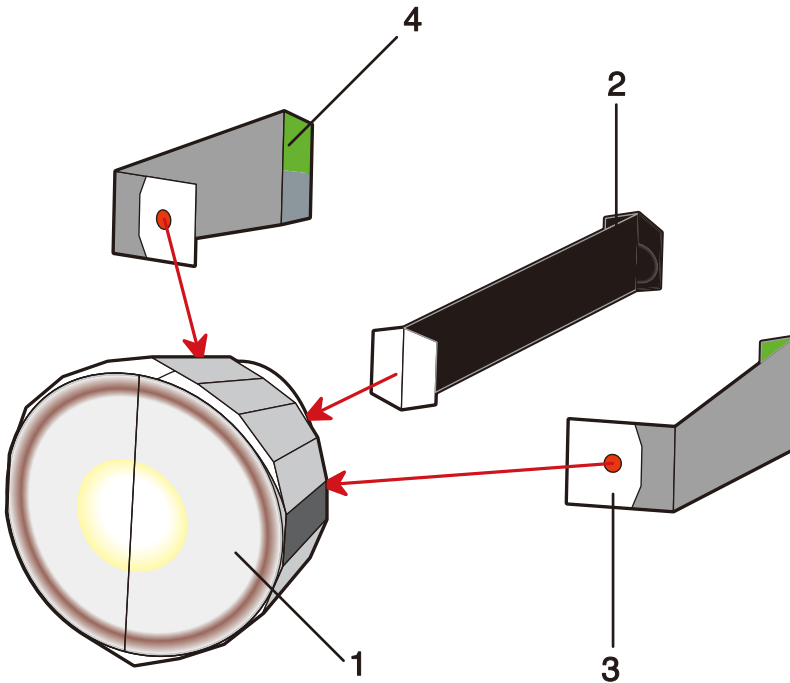
Red dots are the reference positions for gluing surfaces.



Please refer to the "Basic working method and markings" symbol chart on Page 2 to assemble each part.

Indication of Working Methods  Fold or Curve  Glue  Gluing surfaces

1. Assembly of Headlight

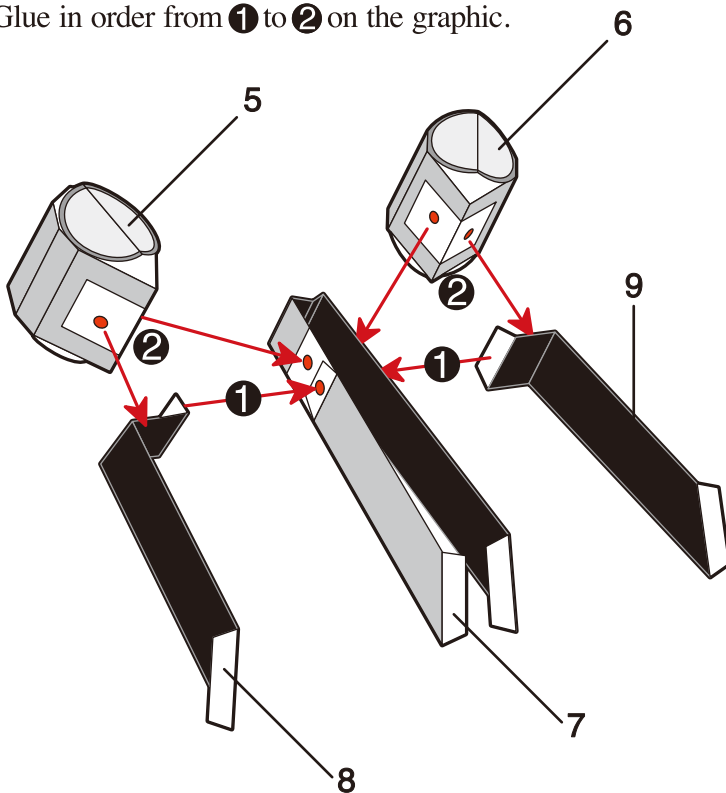


Reference photo



2. Assembly of Meter

Glue in order from ① to ② on the graphic.



Reference photo

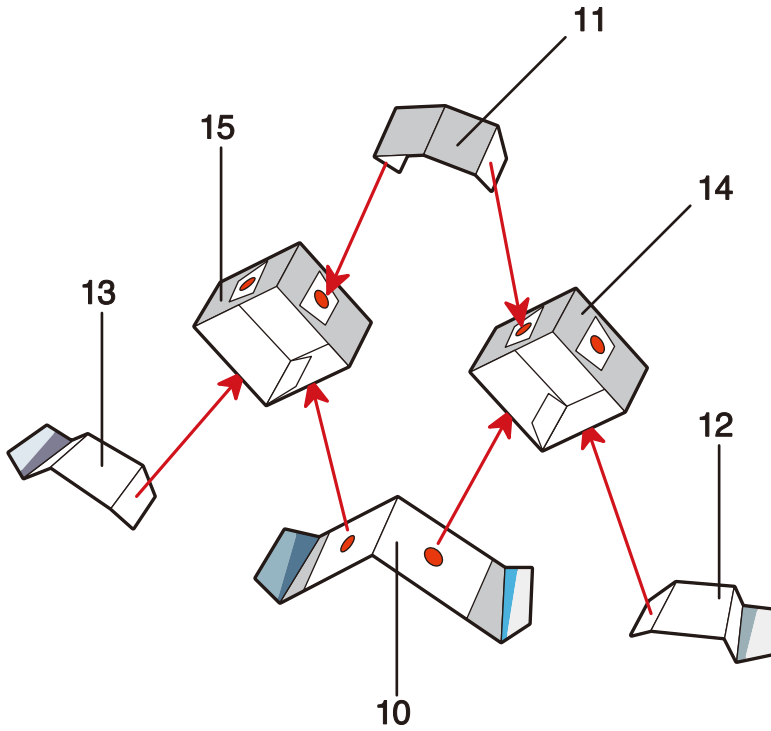


3 Assembly

Please refer to the "Basic working method and markings" symbol chart on Page 2 to assemble each part.

Indication of Working Methods Fold or Curve Glue Gluing surfaces

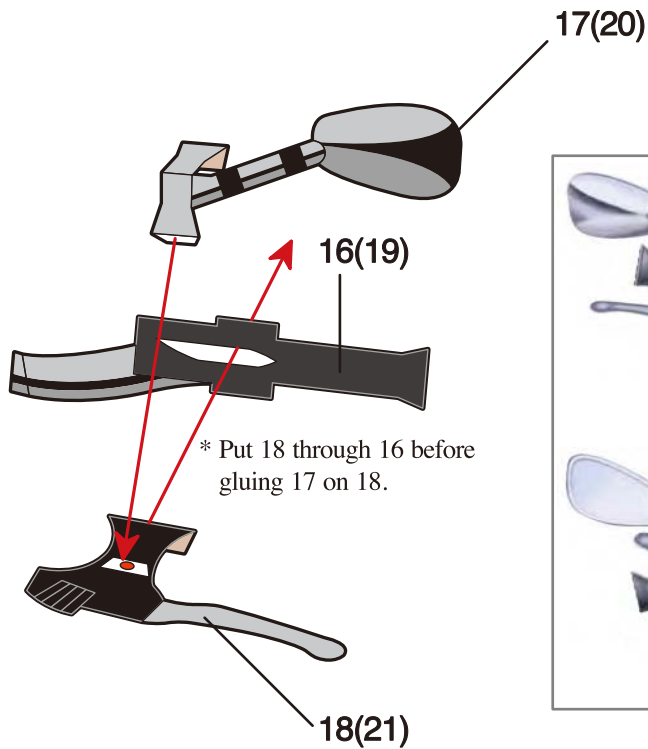
3.Assembly of Steering1



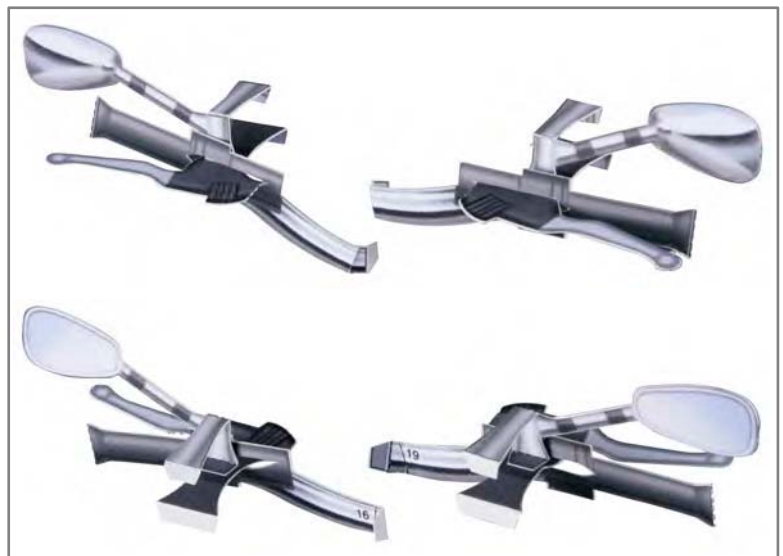
Reference photo



4.Assembly of Mirror *Assemble both sides. The diagram shows the left side. The number inside the () is for the right side.



Reference photo

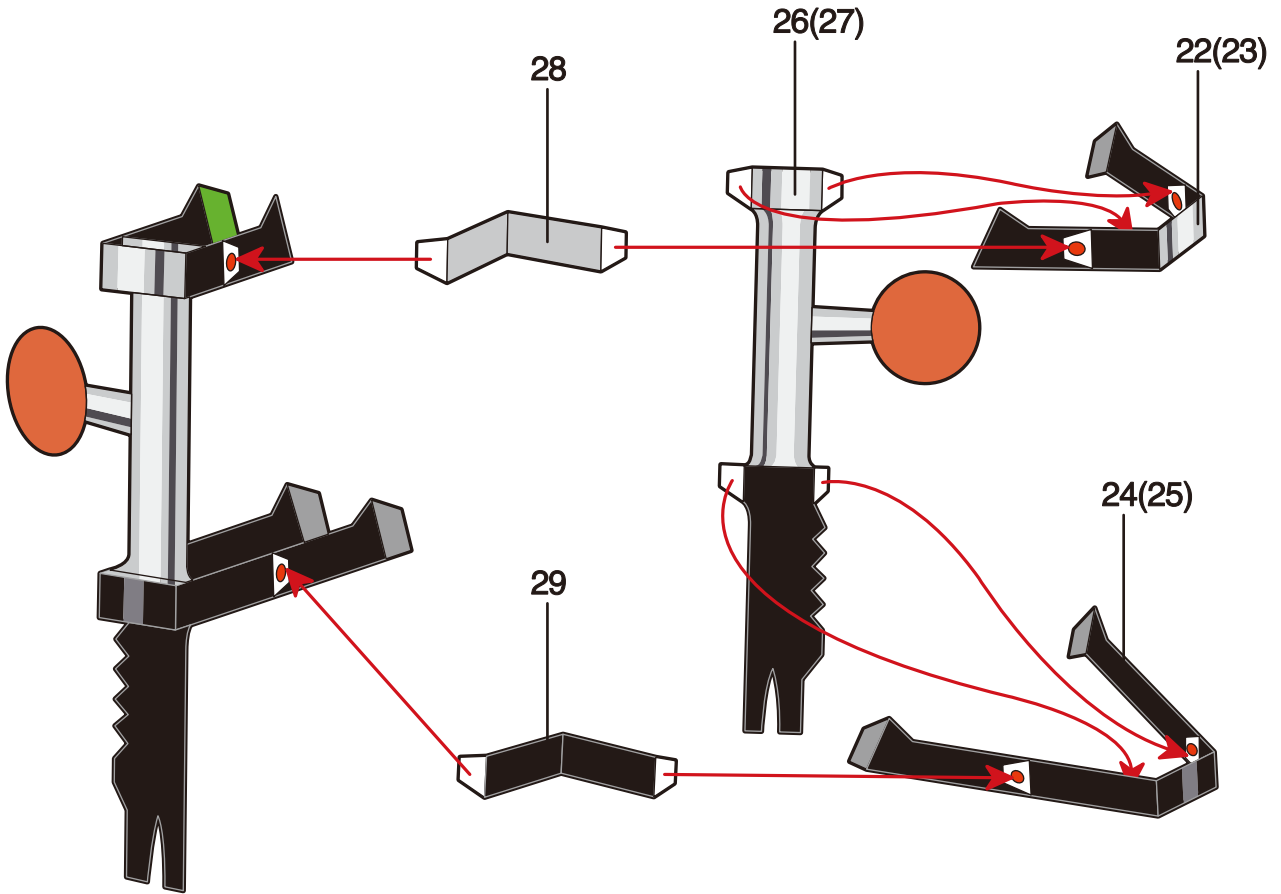


3 Assembly

Please refer to the "Basic working method and markings" symbol chart on Page 2 to assemble each part.

Indication of Working Methods Fold or Curve Glue Gluing surfaces

5. Assembly of Steering2 *Assemble both sides. The diagram shows the left side. The number inside the () is for the right side.



Reference photo

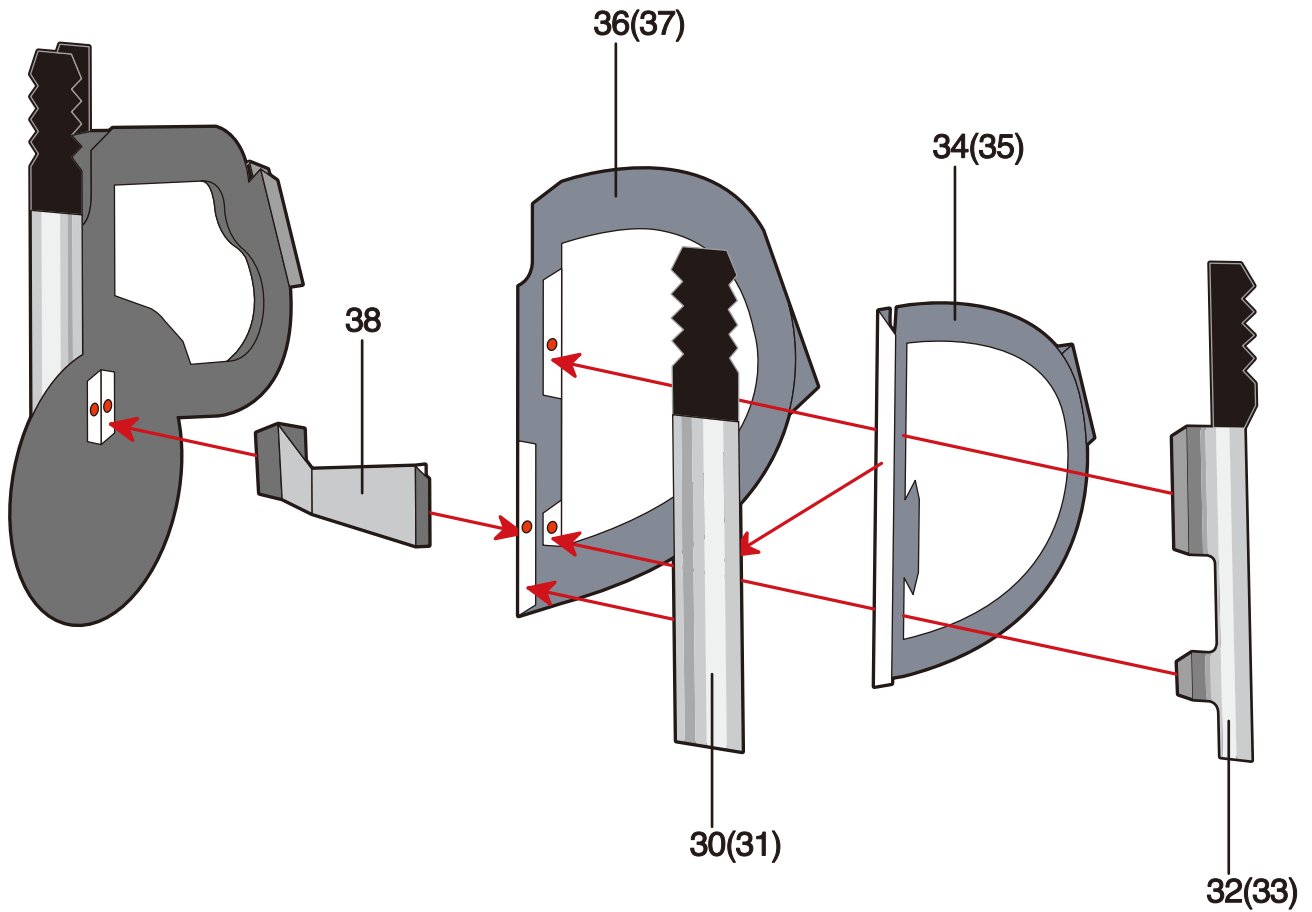


3 Assembly

Please refer to the "Basic working method and markings" symbol chart on Page 2 to assemble each part.

Indication of Working Methods Fold or Curve Glue Gluing surfaces

6. Assembly of Steering3 *Assemble both sides. The diagram shows the left side. The number inside the () is for the right side.



Reference photo

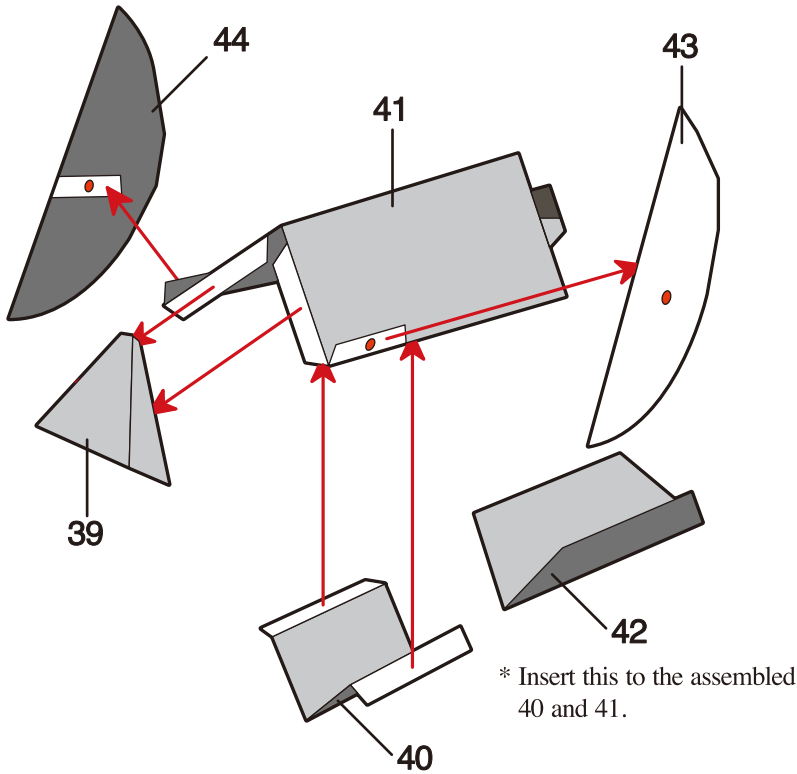


3 Assembly

Please refer to the "Basic working method and markings" symbol chart on Page 2 to assemble each part.

Indication of Working Methods Fold or Curve Glue Gluing surfaces

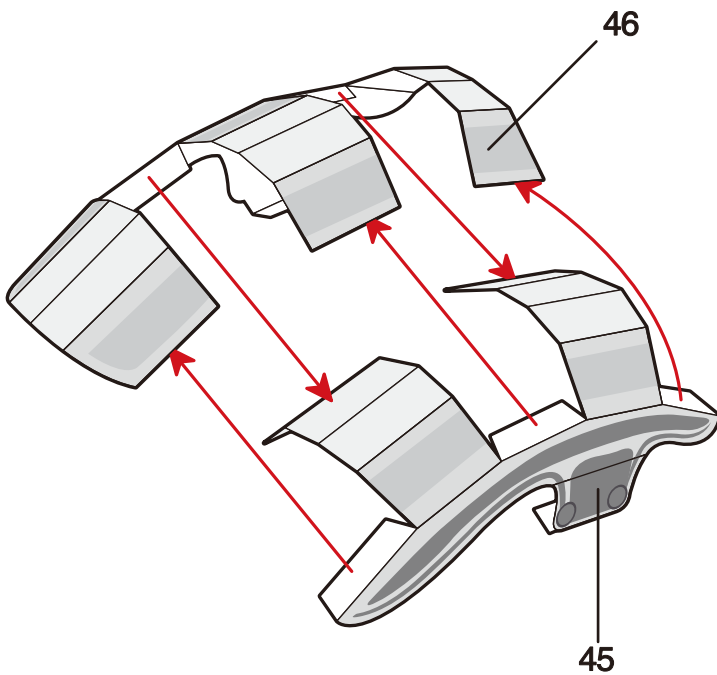
7. Assembly of Support



Reference photo



8. Assembly of Front Fender



Reference photo



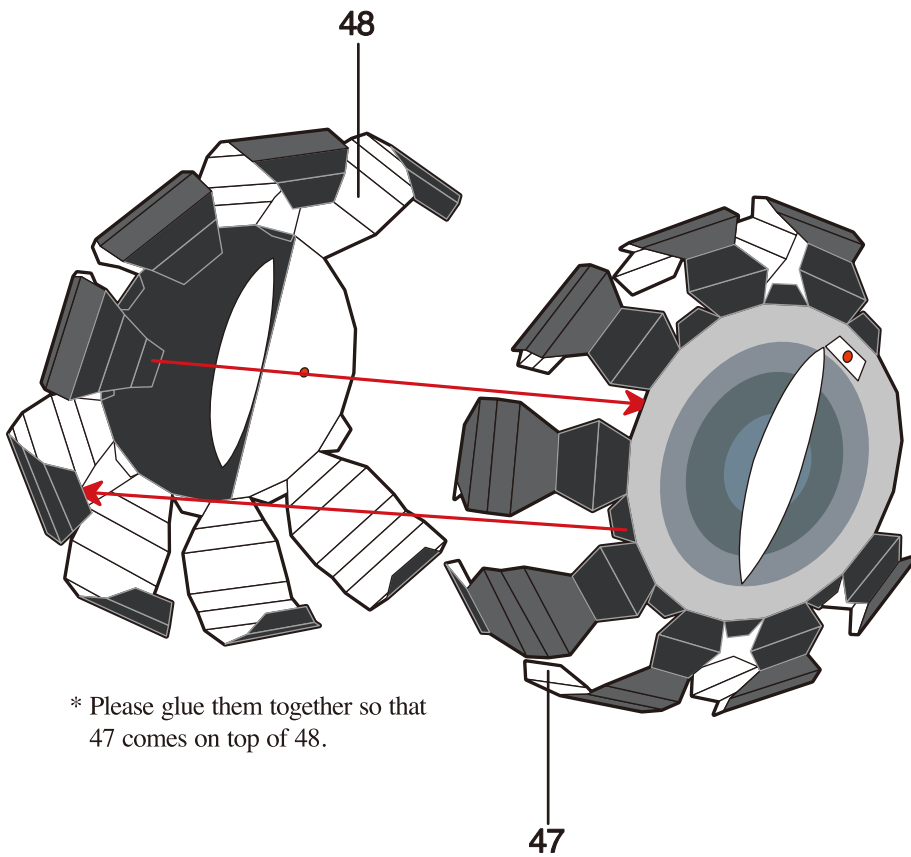
3 Assembly

Please refer to the "Basic working method and markings" symbol chart on Page 2 to assemble each part.

Indication of Working Methods  Fold or Curve  Glue  Gluing surfaces

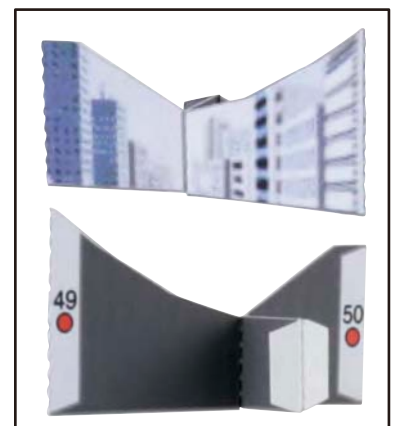
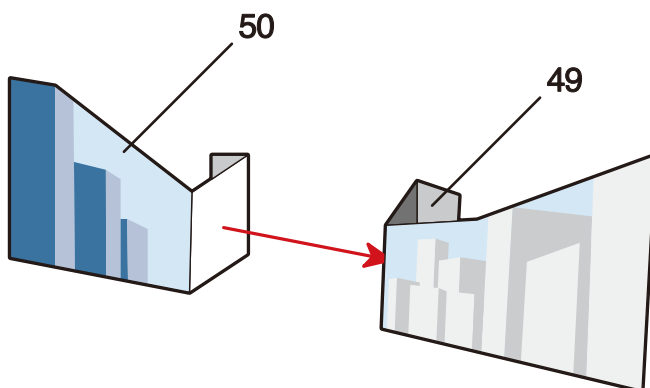
9. Assembly of Tire

Reference photo



10. Assembly of Background1

Reference photo

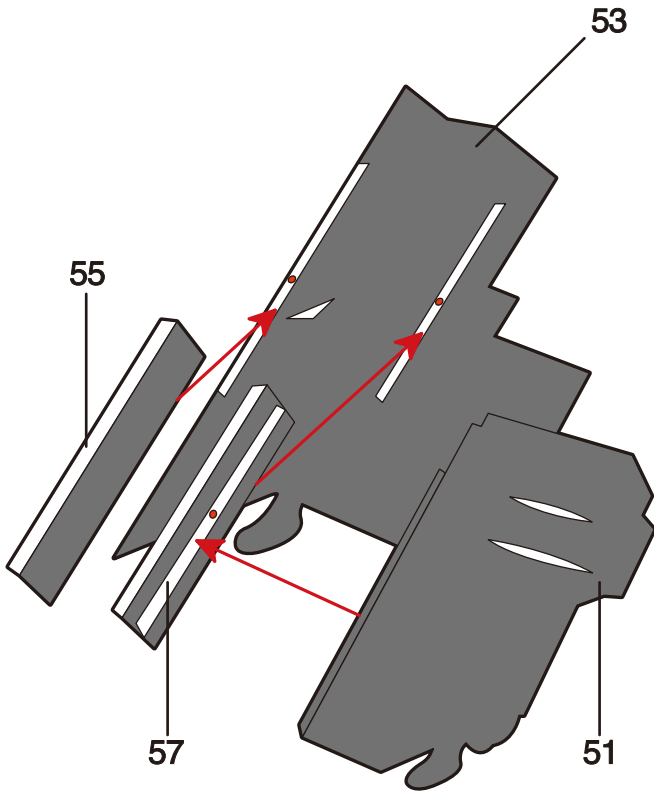


3 Assembly

Please refer to the "Basic working method and markings" symbol chart on Page 2 to assemble each part.

Indication of Working Methods Fold or Curve Glue Gluing surfaces

11. Assembly of Background2



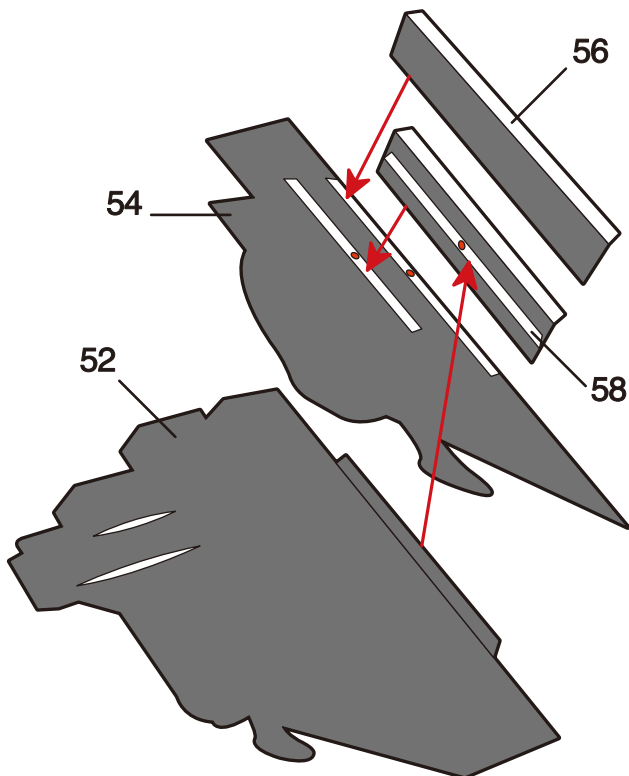
Message card

* If you are not using the message card, please use 53-2 instead.

Reference photo



12. Assembly of Background3



Reference photo

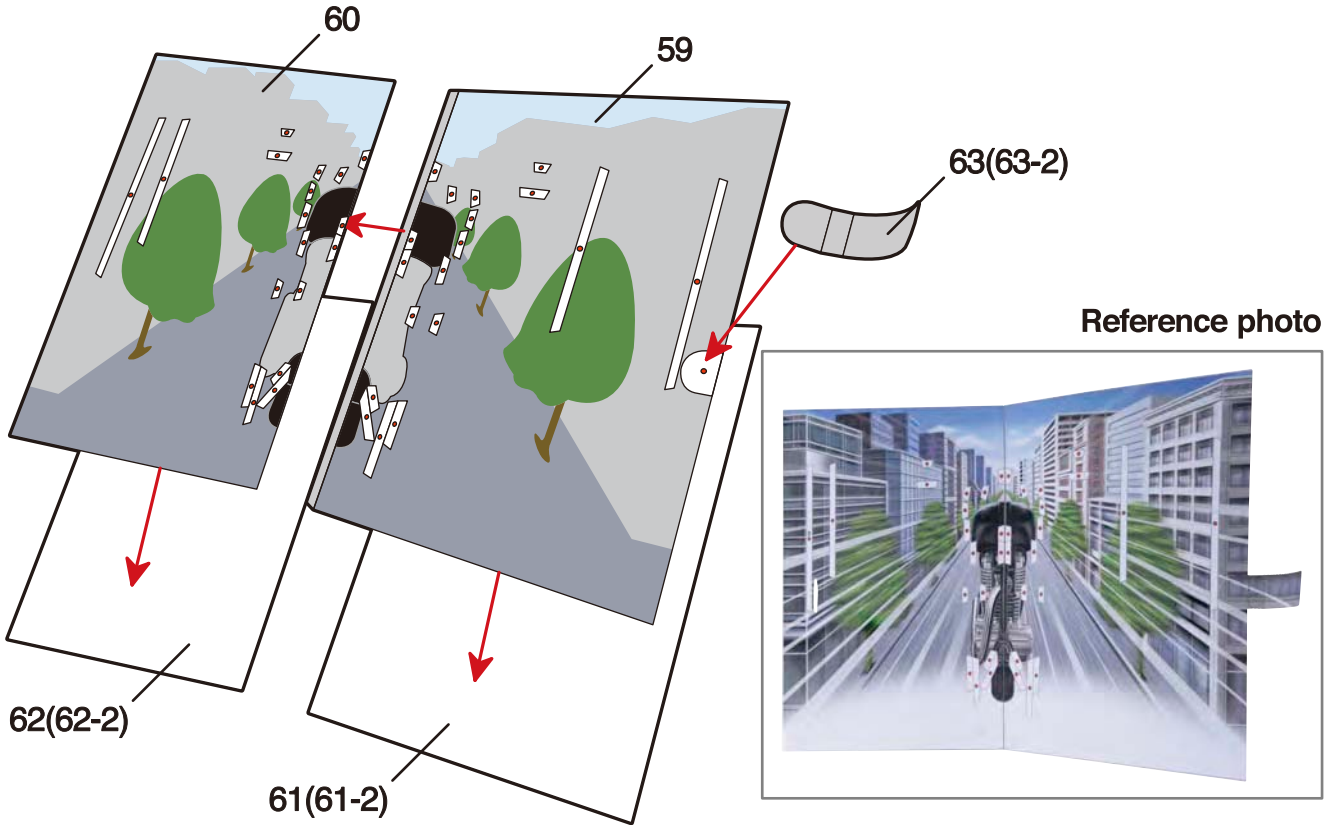


3 Assembly

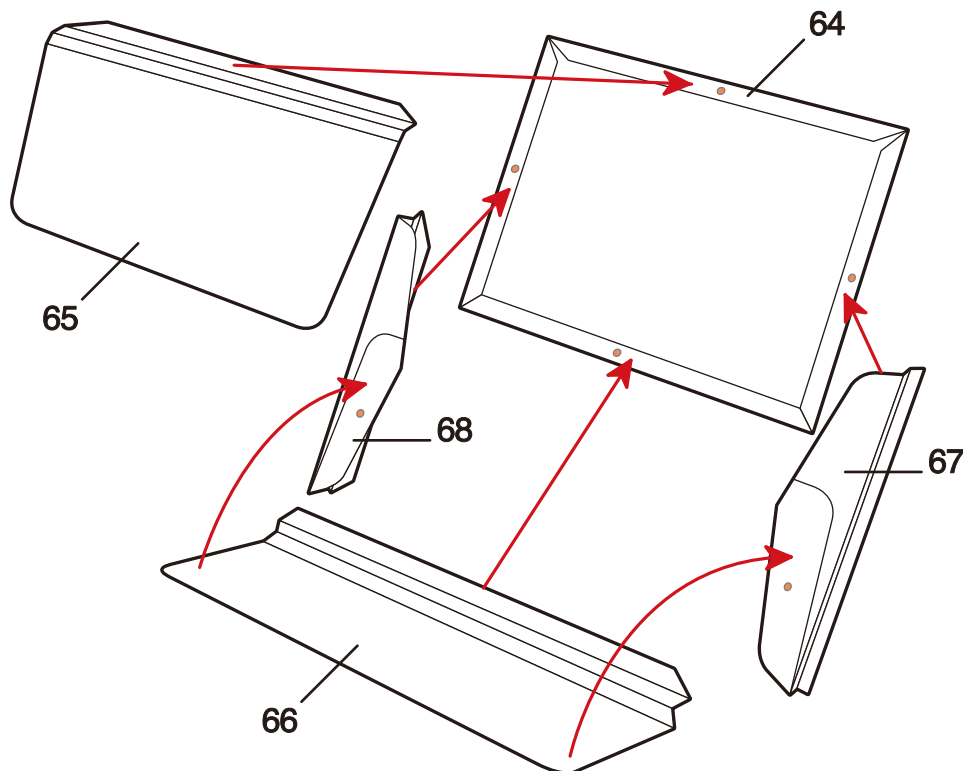
Please refer to the "Basic working method and markings" symbol chart on Page 2 to assemble each part.

Indication of Working Methods  Fold or Curve  Glue  Gluing surfaces

13. Assembly of Background4 * There are 2 types of exteriors. Use the one which suits your taste.



14. Assembly of Envelope

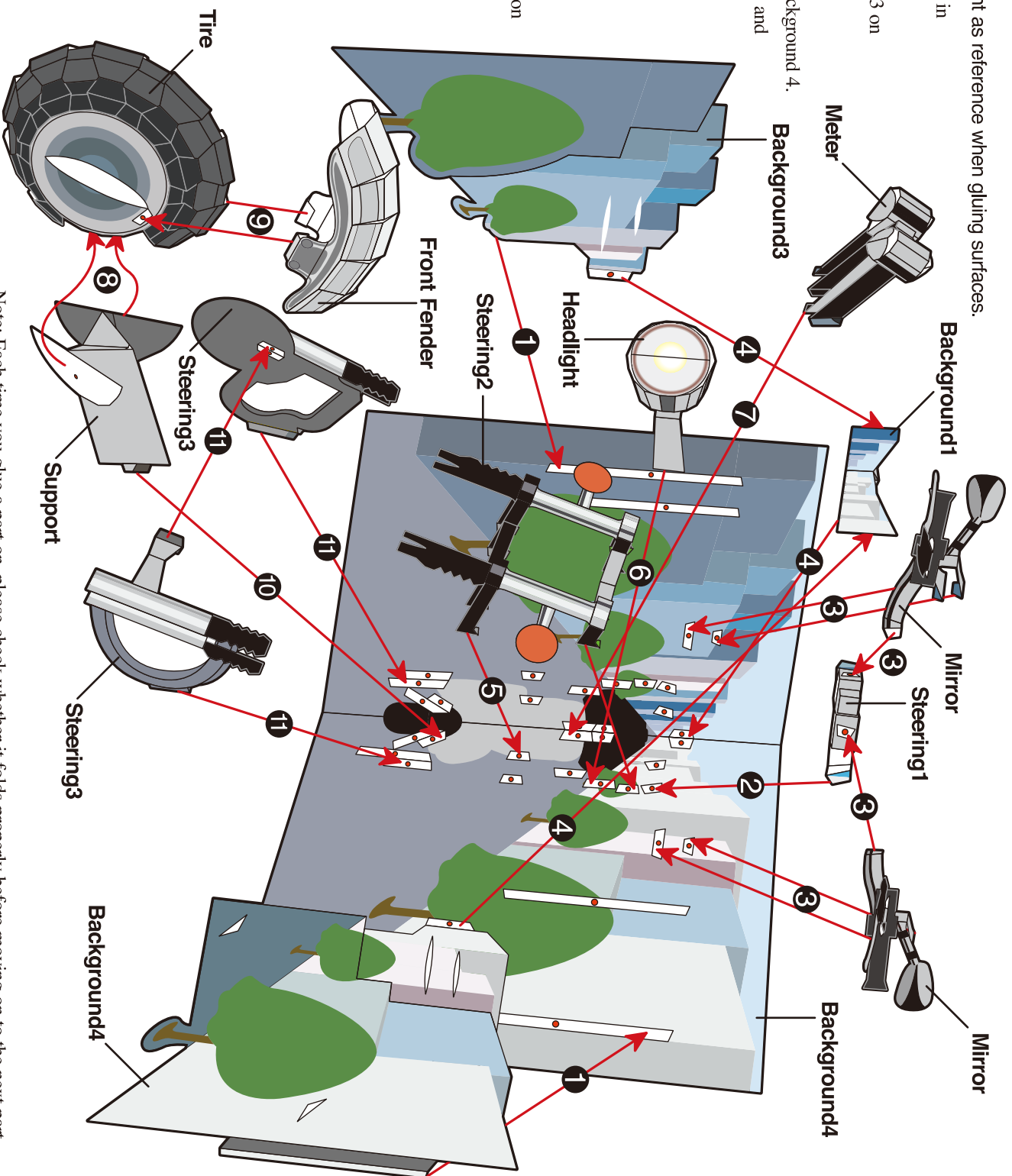


3 Assembly

Please use the ● dots on each component as reference when gluing surfaces.

Connect each of the previously assembled parts in order from 1 - 11 according to the diagram.

- 1 Glue the background 2 and the background 3 on the background 4.
- 2 Glue the steering 1 on the background 4.
- 3 Glue the mirror on the steering 1 and the background 4.
- 4 Glue the background 1 on the background 3 and the background 4.
- 5 Glue the steering 2 on the background 4.
- 6 Glue the headlight on the background 4.
- 7 Glue the meters on the background 4.
- 8 Glue the support on the tyre.
- 9 Glue the front fender on the tyre.
- 10 Glue the support on the background 4.
- 11 Put the steering 3 through the tyre and glue on the background 4.



Note: Each time you glue a part on, please check whether it folds properly before moving on to the next part.

4 Completion

Here are pictures of the completed models. Please refer to them when assembling.

