

POP-UP GREETING CARD

scene **4** Rugby

Let's go see a rugby match!

Assembly Instructions

It is very important to assemble and glue parts in exact order as instructed to create this pop-up greeting card.

Please follow these assembly instructions, cross-checking the part numbers on the parts sheet.



We recommend to print out the parts data on A4 inkjet printer paper for paper-craft, sturdy paper or card.

These are assembly instructions for the "Pop-up greeting card - scene 4".
Please download the parts data, the message card, and the external cover data separately.

Published: 21th October 2011

To begin

Tools and materials needed

-Ruler - scissors - blade cutter or "Exacto-knife" - awl or other pointed tool - Embosspen - Transer (for making a folding crease) - felt pen - pin set - glue - hand towel (for cleaning your fingers) - dictionary or other heavy book (to press the papers flat).

Items of Caution

*Take care when using sharp or pointed objects or when

using bladed cutting tools. Place a heavy sheet of paper

under the paper you want to cut.

*Use glue and other adhesives only in well-ventilated areas.

*When printing, use a slightly reduced font size. There

2

How to assemble

*Follow the working method and markings carefully.

*Cut carefully along the outer line with cutting blade, Exacto-knife or scissors.

One - point Advice

*Cut carefully with cutting blade, Exacto-knife or scissors.

*For folding parts, first use an awl or other pointed tool to make a light crease along the dotted or solid line. This will make the folds straight. Avoid making strong creases, as this will cause the paper to tear.

*Please note that applying too much glue will cause the paper to crease. Use spray glue for wider surfaces.

*Before beginning assembly, test adhesive amounts on extra paper.

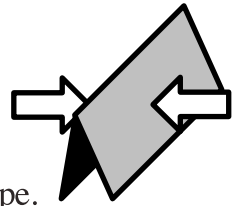
*Occasionally, white spots will be apparent on folds and cuts. Use a marker or pencil to fill in these spots. It is recommended that this be done after each stage of assembly because coloring becomes more difficult once parts are assembled.

Basic working method and markings

————— Solid lines

Fold along these lines.

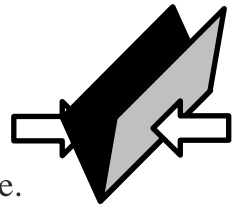
The printed surface should be on the outside of the folded shape.



----- Broken lines

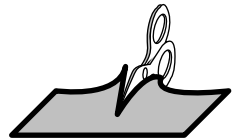
Fold along these lines.

The printed surface should be on the inside of the folded shape.

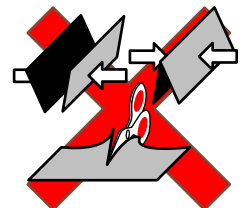


----- Dotted line

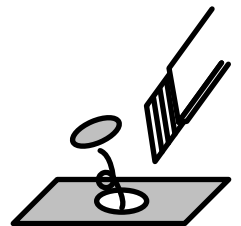
Cut along these lines.



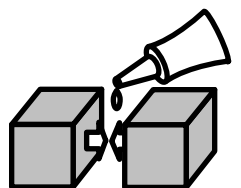
Do not fold or cut the parts marked X.



Cut out parts marked with an asterisk(*).



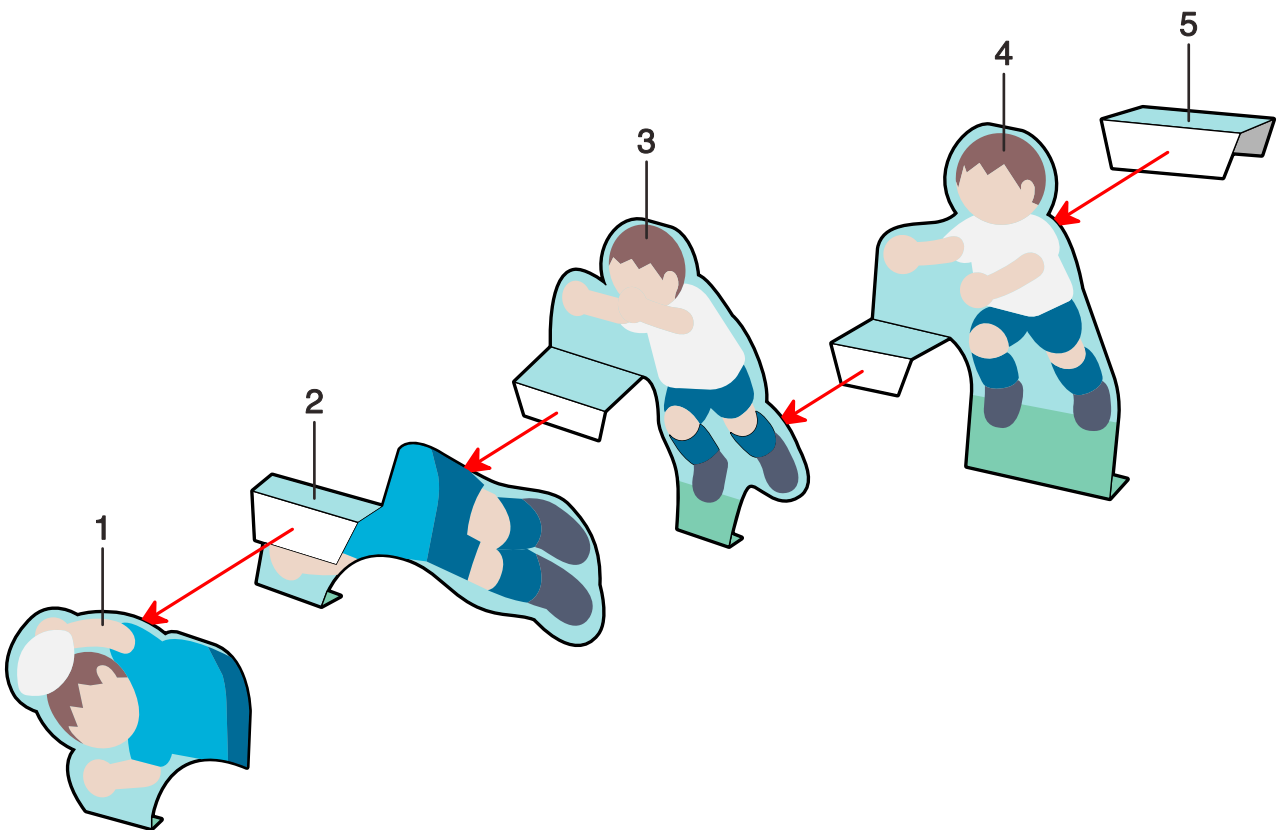
Red dots are the reference positions for gluing surfaces.



Please refer to the "Basic working method and markings" symbol chart on Page 2 to assemble each part.

Indication of Working Methods Fold or Curve Glue Insert Gluing surfaces

1. Assembly of Try



Reference photo

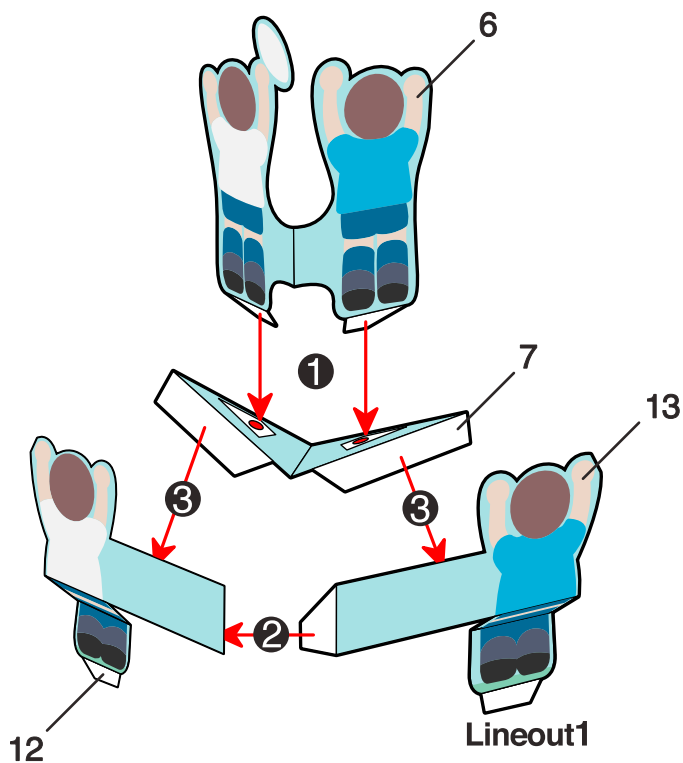


Please refer to the "Basic working method and markings" symbol chart on Page 2 to assemble each part.

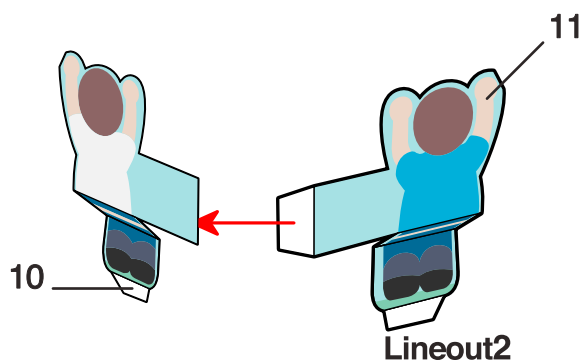
Indication of Working Methods --> Fold or Curve -> Glue <-> Insert ● Gluing surfaces

2. Assembly of Lineout

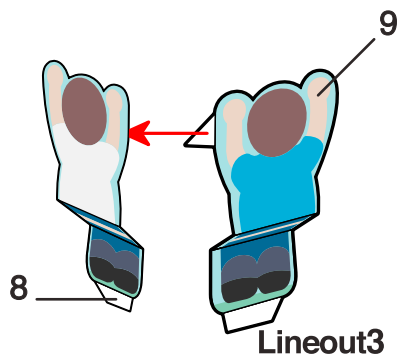
Glue in order from ① to ③ on the graphic.



Lineout1

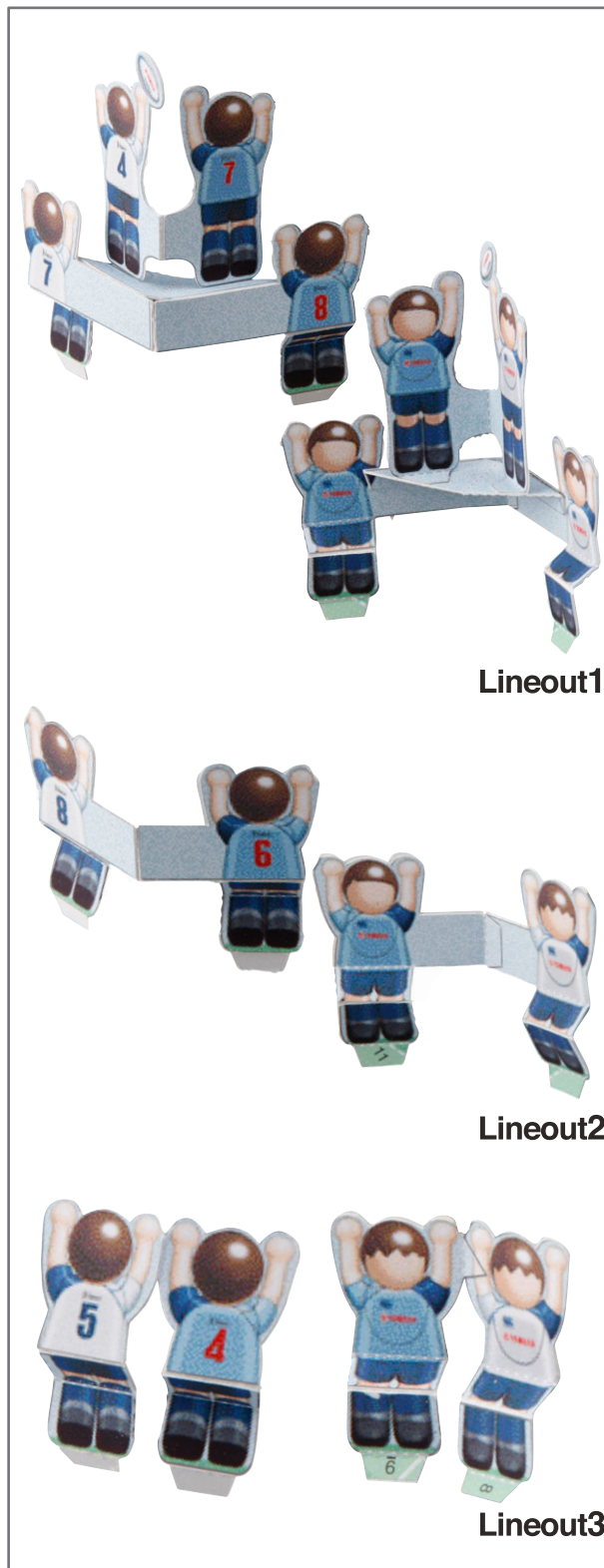


Lineout2



Lineout3

Reference photo



Lineout1

Lineout2

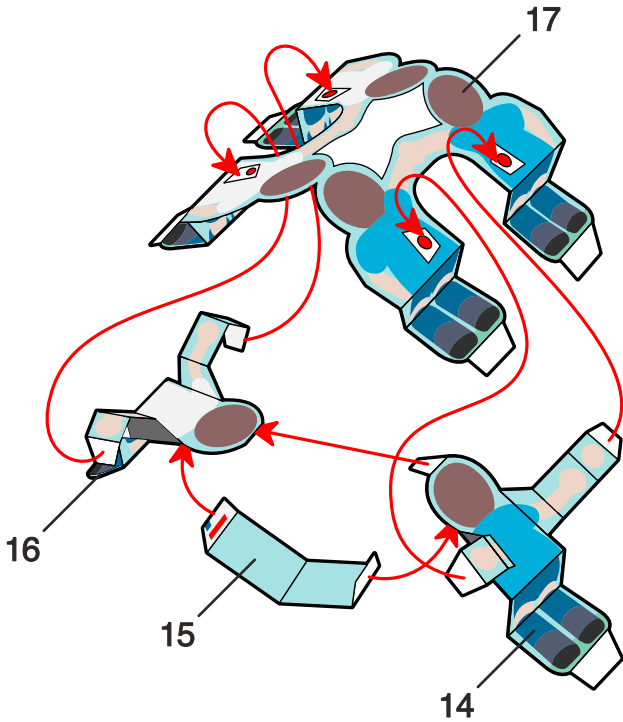
Lineout3

3 Assembly

Please refer to the "Basic working method and markings" symbol chart on Page 2 to assemble each part.

Indication of Working Methods Fold or Curve Glue Insert Gluing surfaces

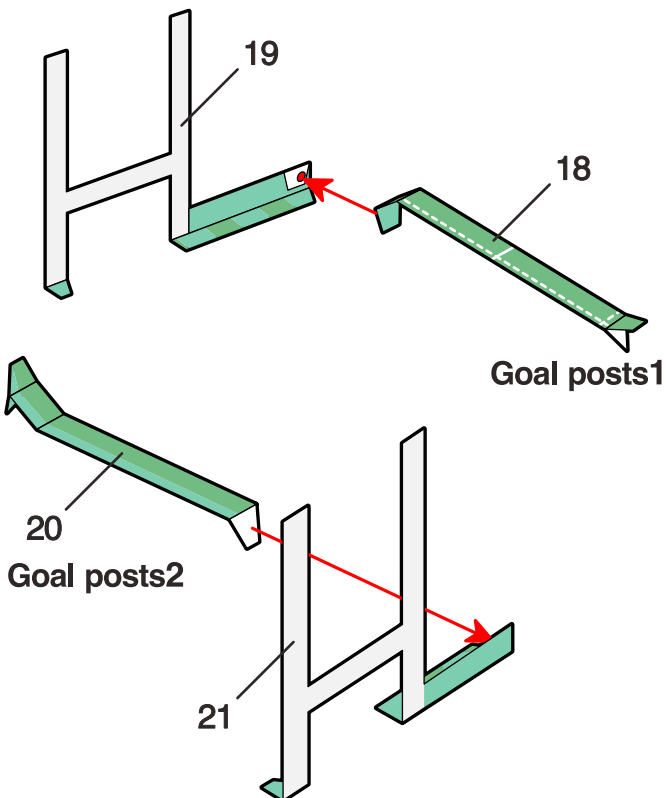
3.Assembly of Scrum



Reference photo



4.Assembly of Goal posts



Reference photo



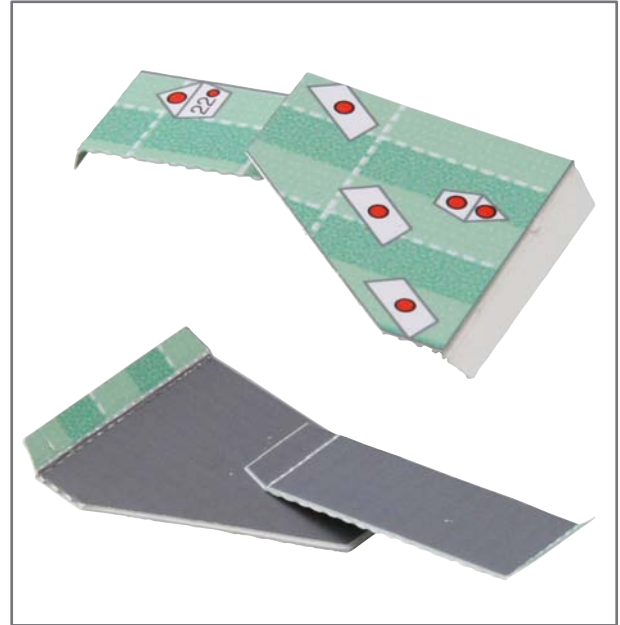
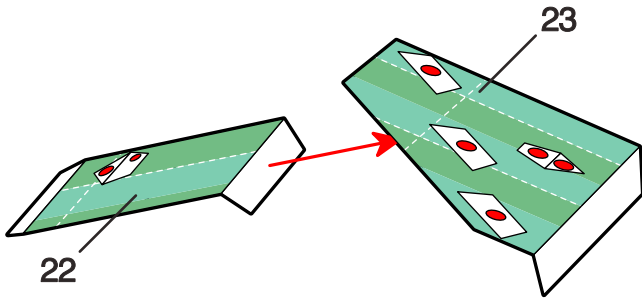
3 Assembly

Please refer to the "Basic working method and markings" symbol chart on Page 2 to assemble each part.

Indication of Working Methods Fold or Curve Glue Insert Gluing surfaces

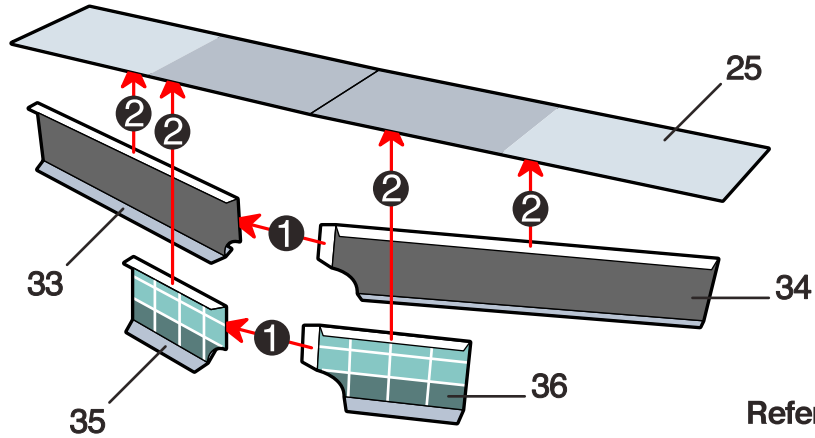
5. Assembly of Ground1

Reference photo

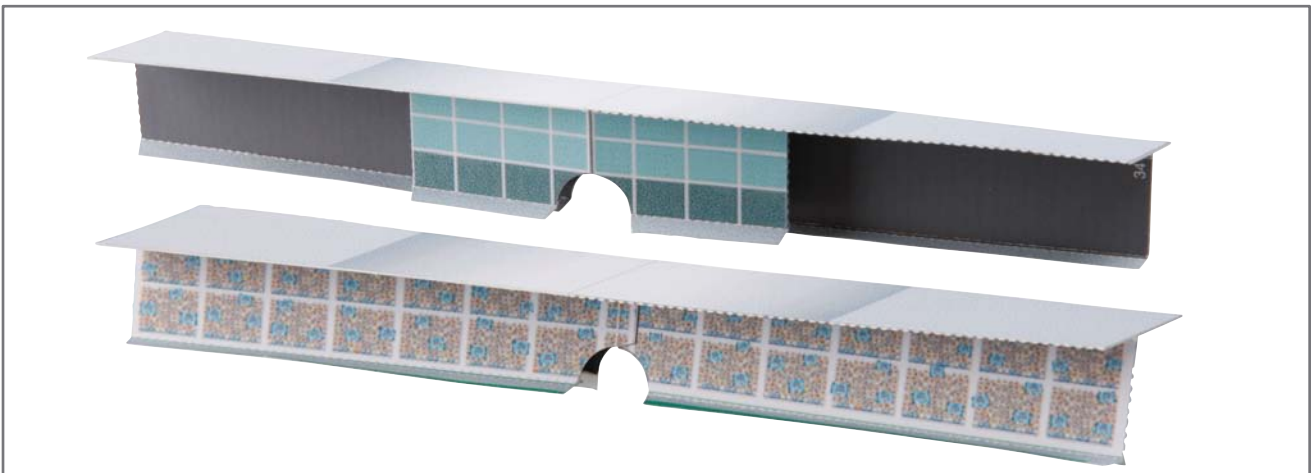


6. Assembly of Stadium1

Glue in order from ① to ② on the graphic.



Reference photo



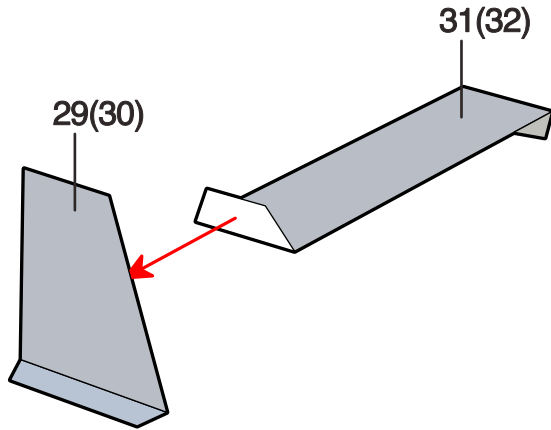
3 Assembly

Please refer to the "Basic working method and markings" symbol chart on Page 2 to assemble each part.

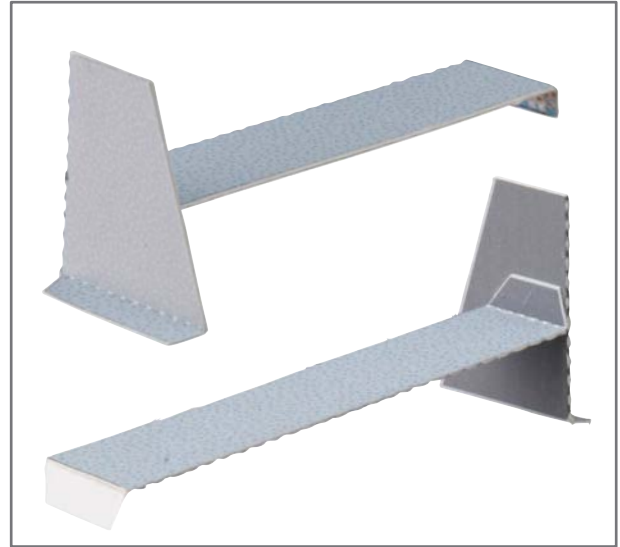
Indication of Working Methods Fold or Curve Glue Insert Gluing surfaces

7. Assembly of Stadium2

*Assemble both sides. The diagram shows the left side.
The number inside the () is for the right side.

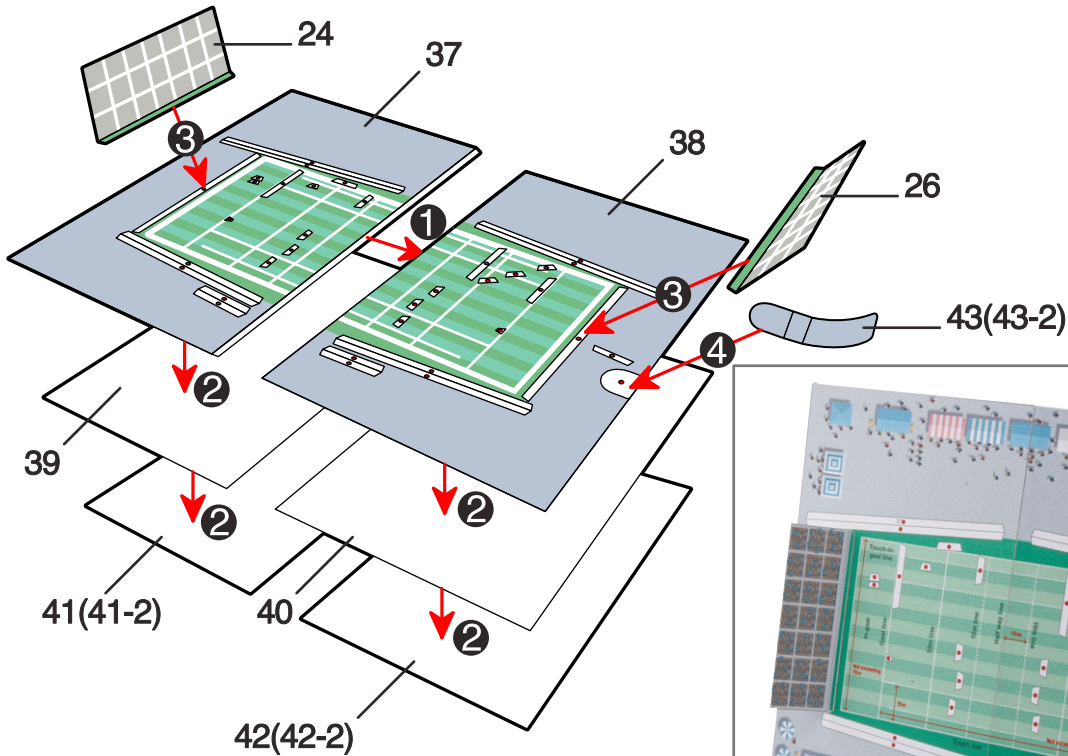


Reference photo

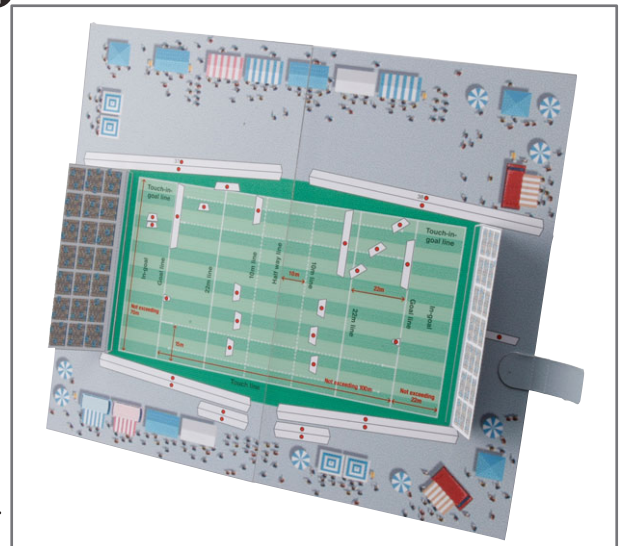


8. Assembly of Ground2

Glue in order from ① to ④ on the graphic.



Reference photo



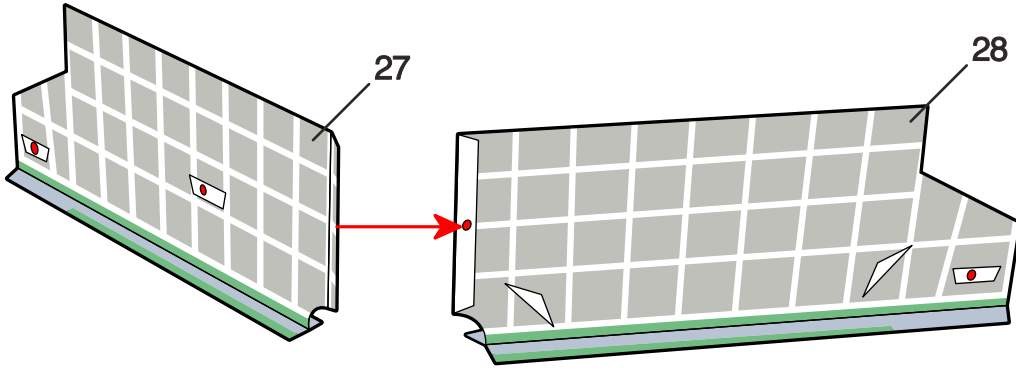
Note: There are two different designs for 41, 42 and 43 respectively.
Please pick the designs you prefer.

3 Assembly

Please refer to the "Basic working method and markings" symbol chart on Page 2 to assemble each part.

Indication of Working Methods ---> Fold or Curve -> Glue <-> Insert ● Gluing surfaces

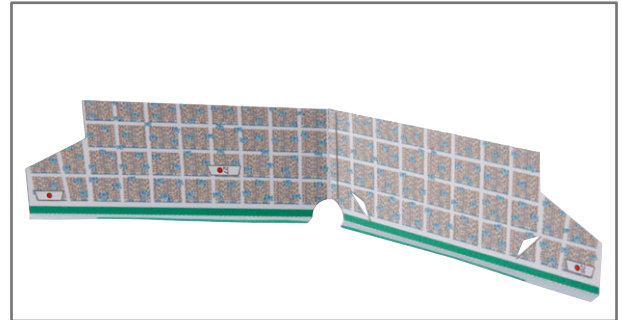
9. Assembly of Wave2



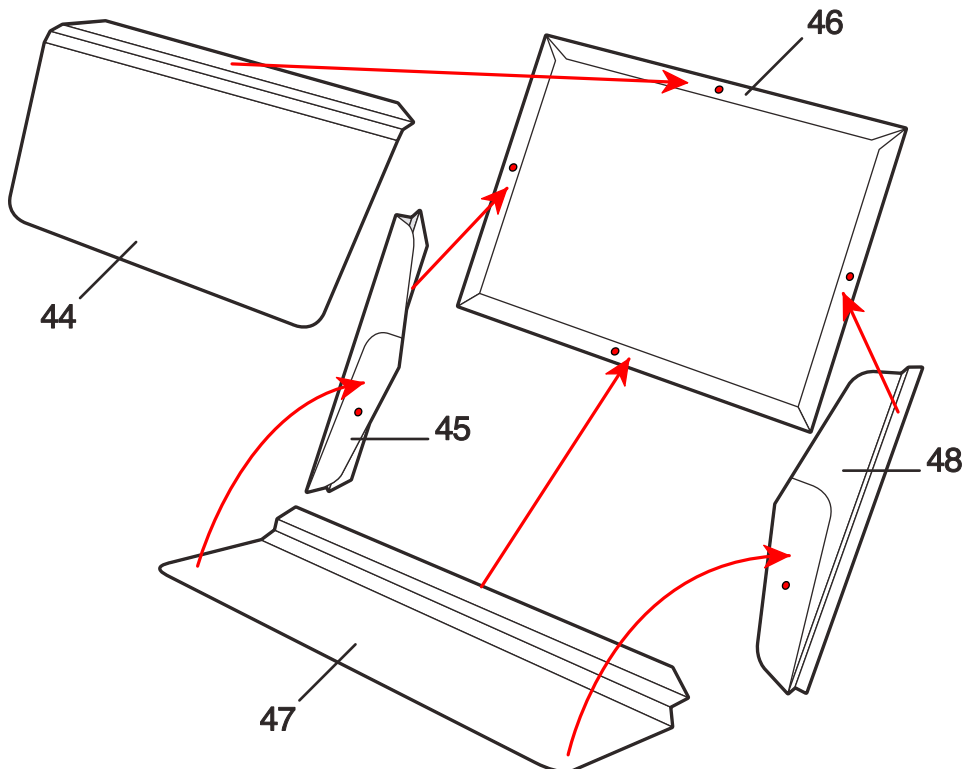
Message card

* If you are not using the message card, please use 28-2 instead.

Reference photo



10. Assembly of Background

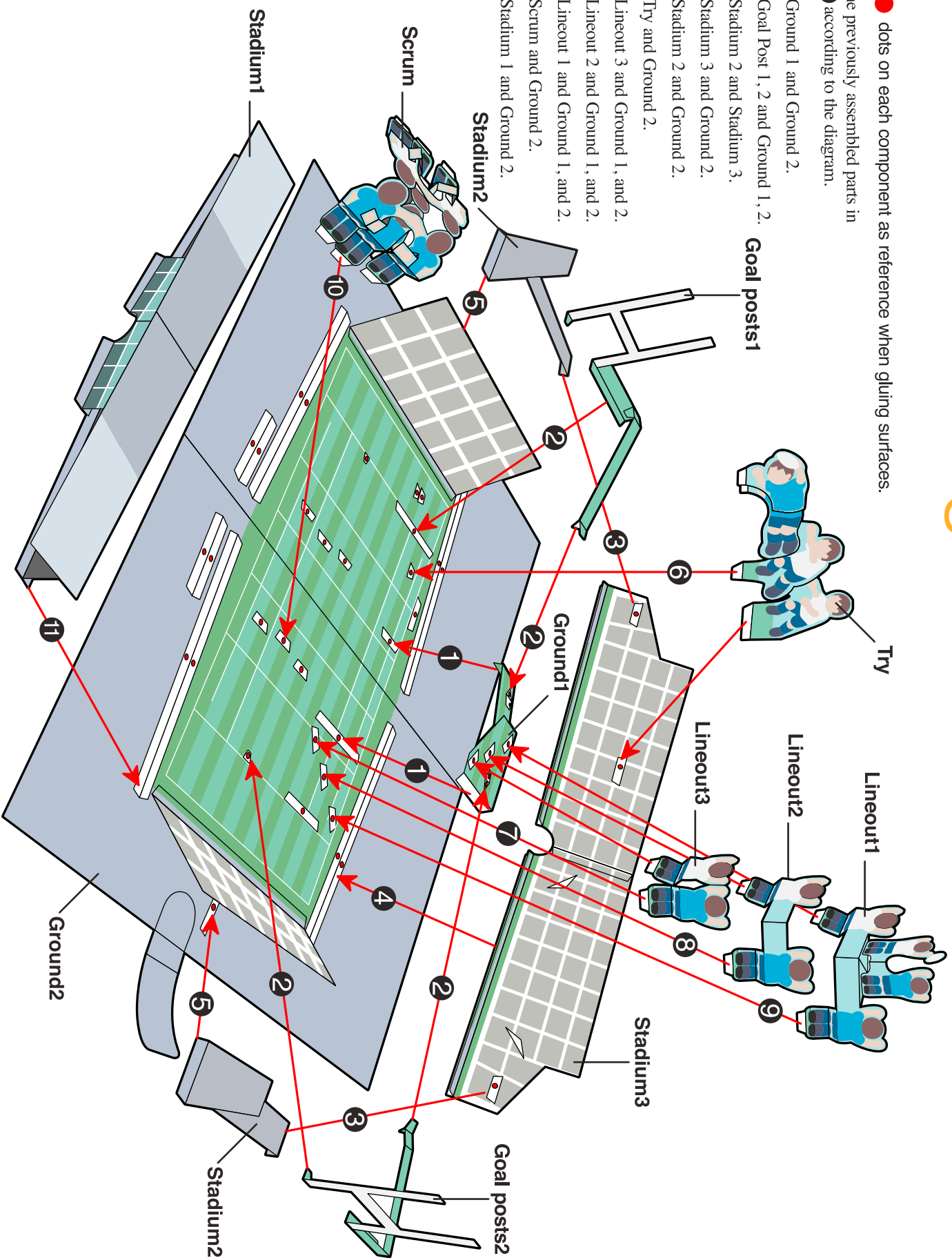


3 Assembly

Please use the ● dots on each component as reference when gluing surfaces.

Connect each of the previously assembled parts in order from 1 - 11 according to the diagram.

- 1 Paste together Ground 1 and Ground 2.
- 2 Paste together Goal Post 1, 2 and Ground 1, 2.
- 3 Paste together Stadium 2 and Stadium 3.
- 4 Paste together Stadium 3 and Ground 2.
- 5 Paste together Stadium 2 and Ground 2.
- 6 Paste together Try and Ground 2.
- 7 Paste together Lineout 3 and Ground 1, and 2.
- 8 Paste together Lineout 2 and Ground 1, and 2.
- 9 Paste together Lineout 1 and Ground 1, and 2.
- 10 Paste together Scrum and Ground 2.
- 11 Paste together Stadium 1 and Ground 2.



Note: Each time you glue a part on, please check whether it folds properly before moving on to the next part.



4 Completion

Here are pictures of the completed models. Please refer to them when assembling.

