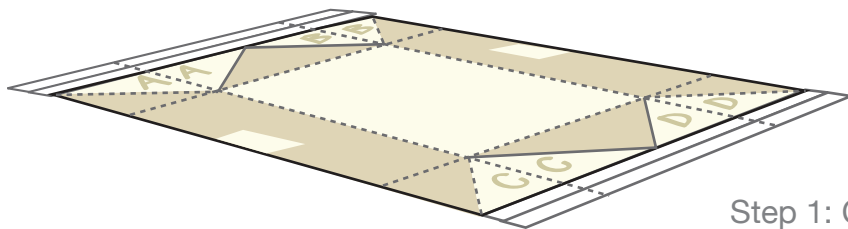


© Disney
Family.com

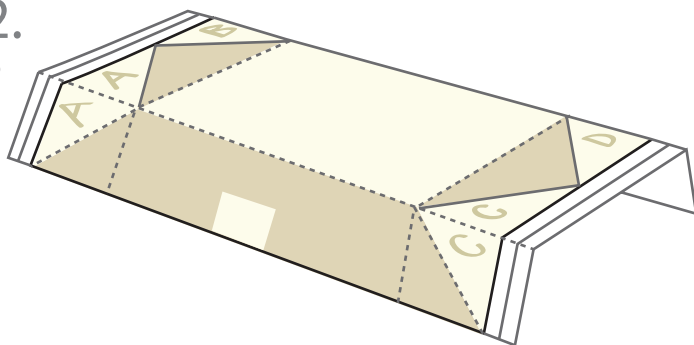
1.



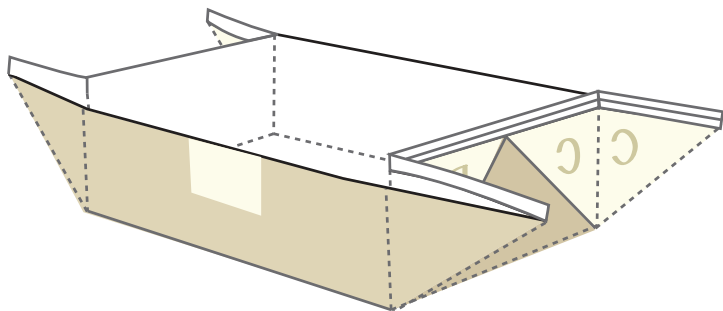
Step 1: Cut out the main piece of the basket.

2.

Step 2: Follow the fold indicators and graphics shown here and begin making your folds.



3.



Step 3: Your basket should be starting to take shape. Glue “A” to “A” and so on until all four corners are secured.

Step 4: Fold over the white lip on the two sides of the basket. Cut out the handle and the characters. Glue the handle to the indicated sides of the basket. Cut out the character eggs from page one and glue them wherever you want to decorate your basket. Fill the basket with Easter goodies and enjoy!

4.

