

# POP-UP GREETING CARD

season 2

scene

8

XT1200Z Super Ténéré

Fall - Ride away into the boundless wilderness

## Assembly Instructions

It is very important to assemble and glue parts in exact order as instructed to create this pop-up greeting card.

Please follow these assembly instructions, cross-checking the part numbers on the parts sheet.



We recommend to print out the parts data on A4 inkjet printer paper for paper-craft, sturdy paper or card.

These are assembly instructions for the "Pop-up greeting card - scene 8".

Please download the parts data, stand and special mailing envelope data separately.

Published: 2nd October, 2012

## To begin

### Tools and materials needed

-Ruler - scissors - blade cutter or "Exacto-knife" - awl or other pointed tool - Embosspen - Transer (for making a folding crease) - felt pen - pin set - glue - hand towel ( for cleaning your fingers) - dictionary or other heavy book ( to press the papers flat).

### Items of Caution

\*Take care when using sharp or pointed objects or when

using bladed cutting tools. Place a heavy sheet of paper

under the paper you want to cut.

\*Use glue and other adhesives only in well-ventilated areas.

\*When printing, use a slightly reduced font size. There

## 2

## How to assemble

\*Follow the working method and markings carefully.

\*Cut carefully along the outer line with cutting blade, Exacto-knife or scissors.

### One - point Advice

\*Cut carefully with cutting blade, Exacto-knife or scissors.

\*For folding parts, first use an awl or other pointed tool to make a light crease along the dotted or solid line. This will make the folds straight. Avoid making strong creases, as this will cause the paper to tear.

\*Please note that applying too much glue will cause the paper to crease. Use spray glue for wider surfaces.

\*Before beginning assembly, test adhesive amounts on extra paper.

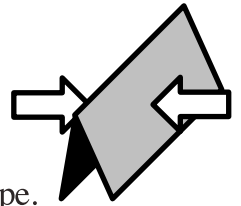
\*Occasionally, white spots will be apparent on folds and cuts. Use a marker or pencil to fill in these spots. It is recommended that this be done after each stage of assembly because coloring becomes more difficult once parts are assembled.

## Basic working method and markings

————— Solid lines

Fold along these lines.

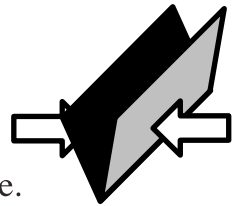
The printed surface should be on the outside of the folded shape.



----- Broken lines

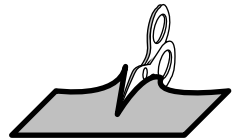
Fold along these lines.

The printed surface should be on the inside of the folded shape.

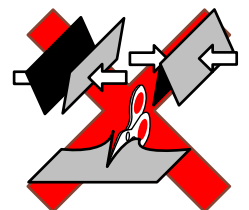


----- Dotted line

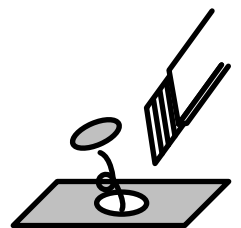
Cut along these lines.



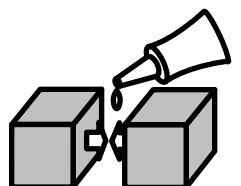
Do not fold or cut the parts marked X.



Cut out parts marked with an asterisk(\*).



Red dots are the reference positions for gluing surfaces.

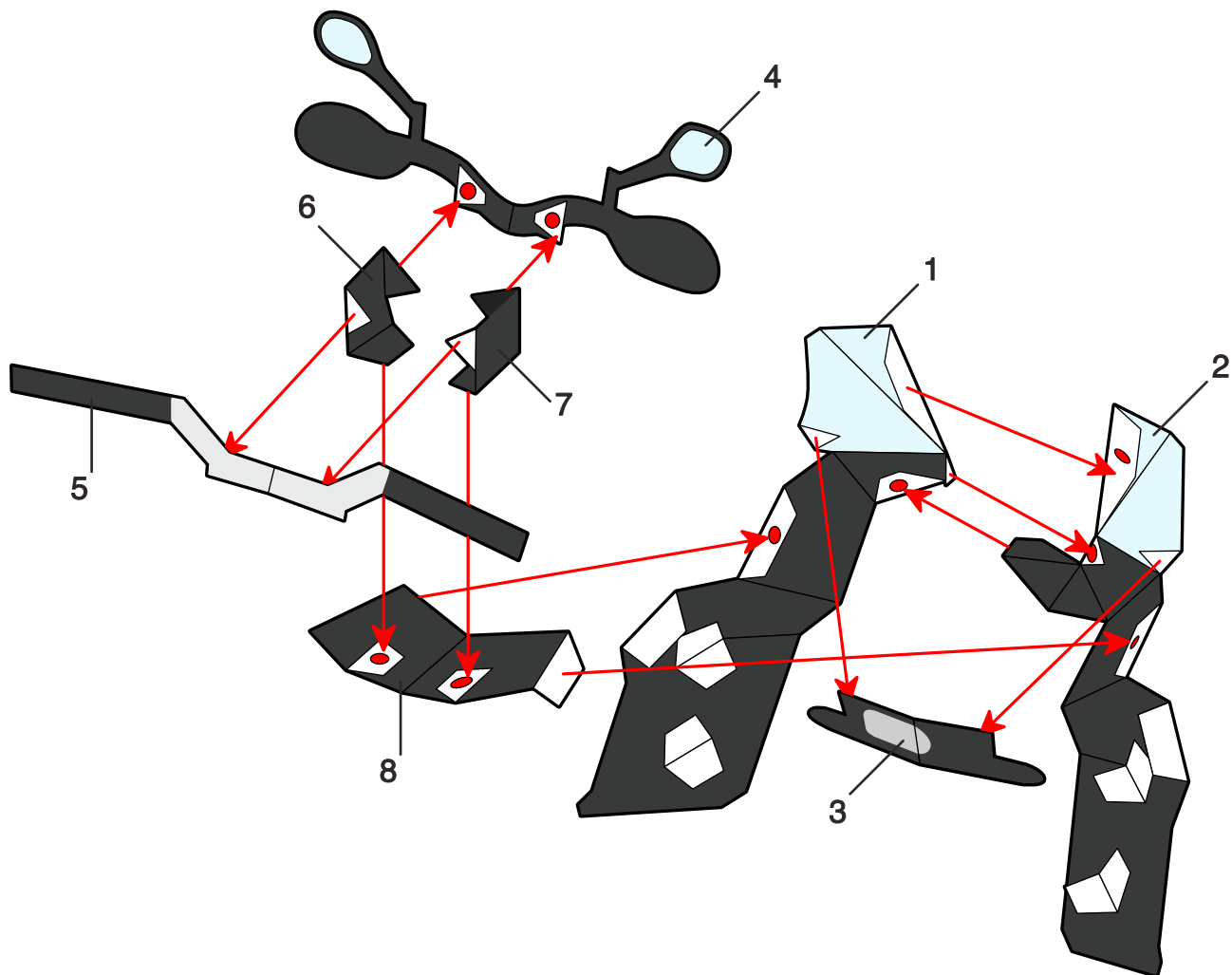


# 3 Assembly

Please refer to the "Basic working method and markings" symbol chart on Page 2 to assemble each part.

Indication of Working Methods -> Fold or Curve -> Glue <-> Insert ● Gluing surfaces

## 1. Assembly of the front cowl



Reference photo

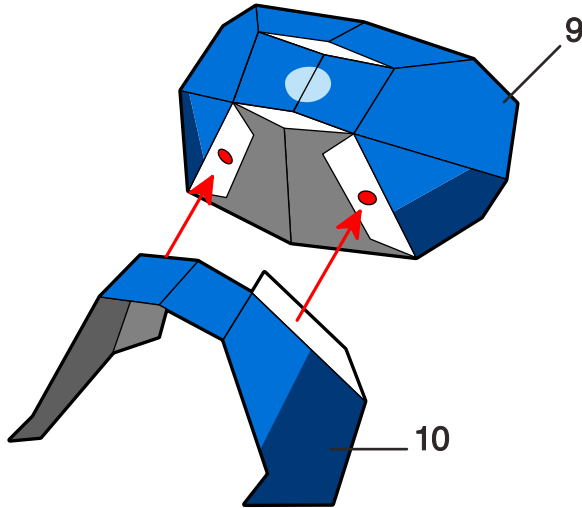


# 3 Assembly

Please refer to the "Basic working method and markings" symbol chart on Page 2 to assemble each part.

Indication of Working Methods ---> Fold or Curve    -> Glue    <--> Insert    ● Gluing surfaces

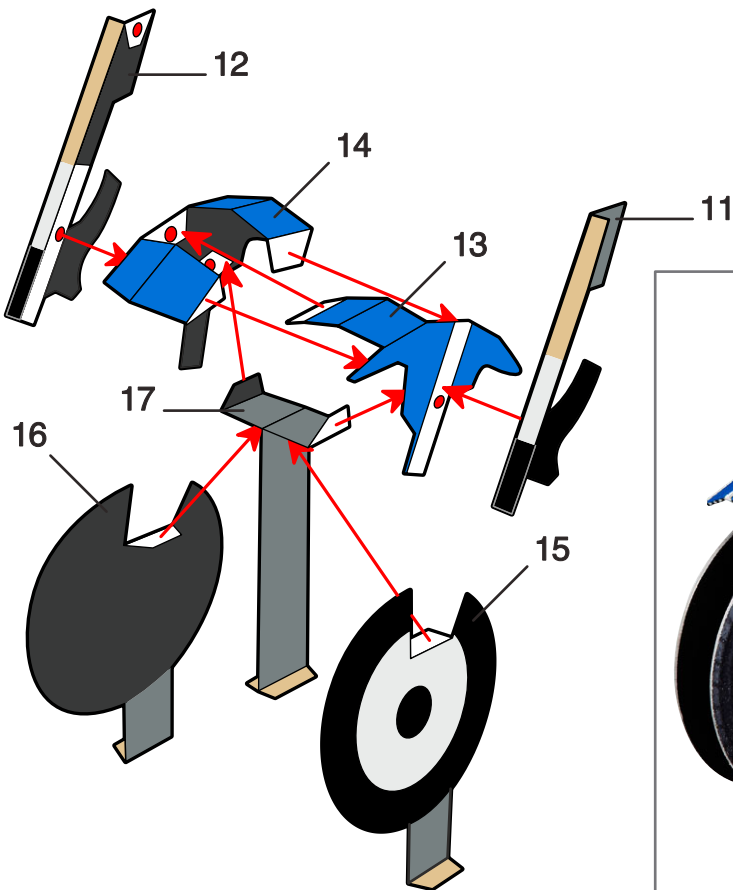
## 2. Assembly of the fuel tank



Reference photo



## 3. Assembly of the front tire



Reference photo

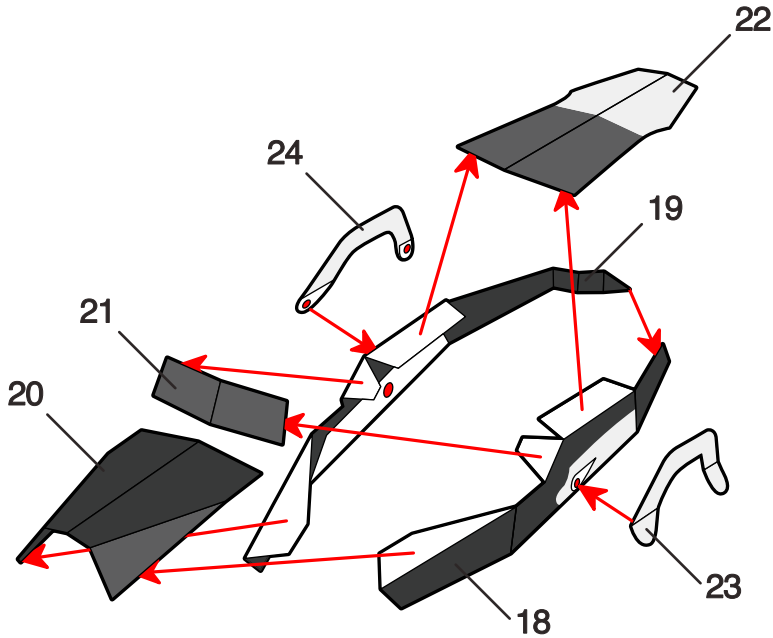


# 3 Assembly

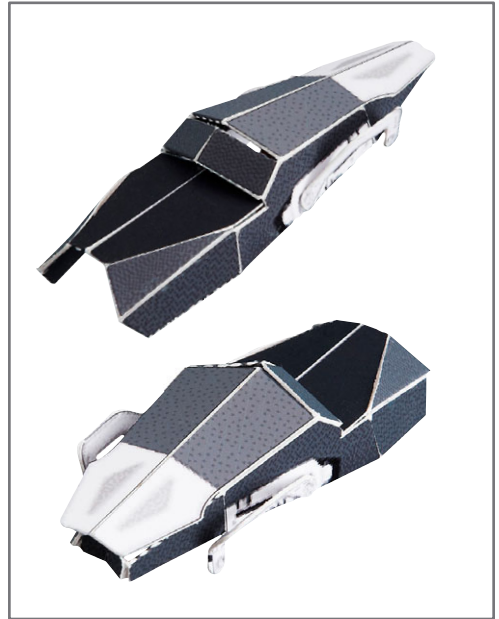
Please refer to the "Basic working method and markings" symbol chart on Page 2 to assemble each part.

Indication of Working Methods Fold or Curve Glue Insert Gluing surfaces

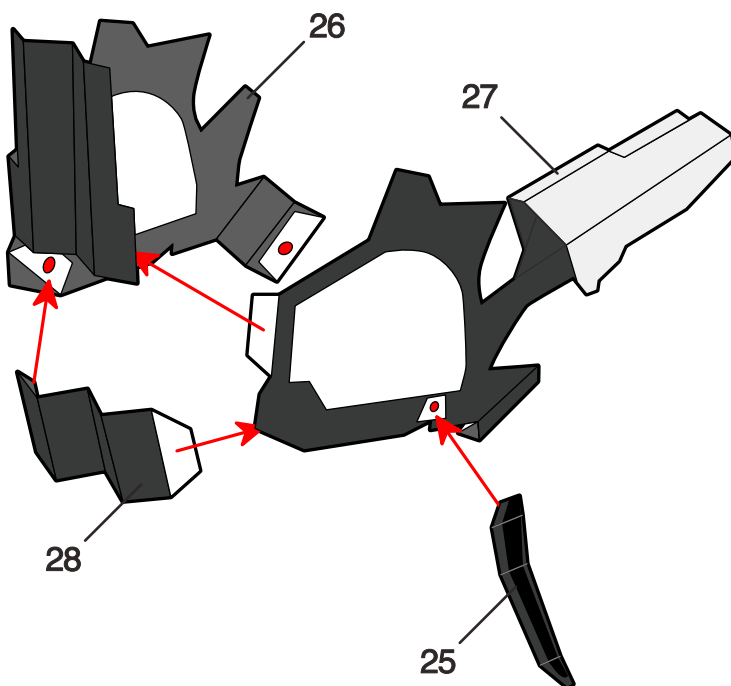
## 4. Assembly of the seat



Reference photo



## 5. Assembly of the exhaust pipes



Reference photo



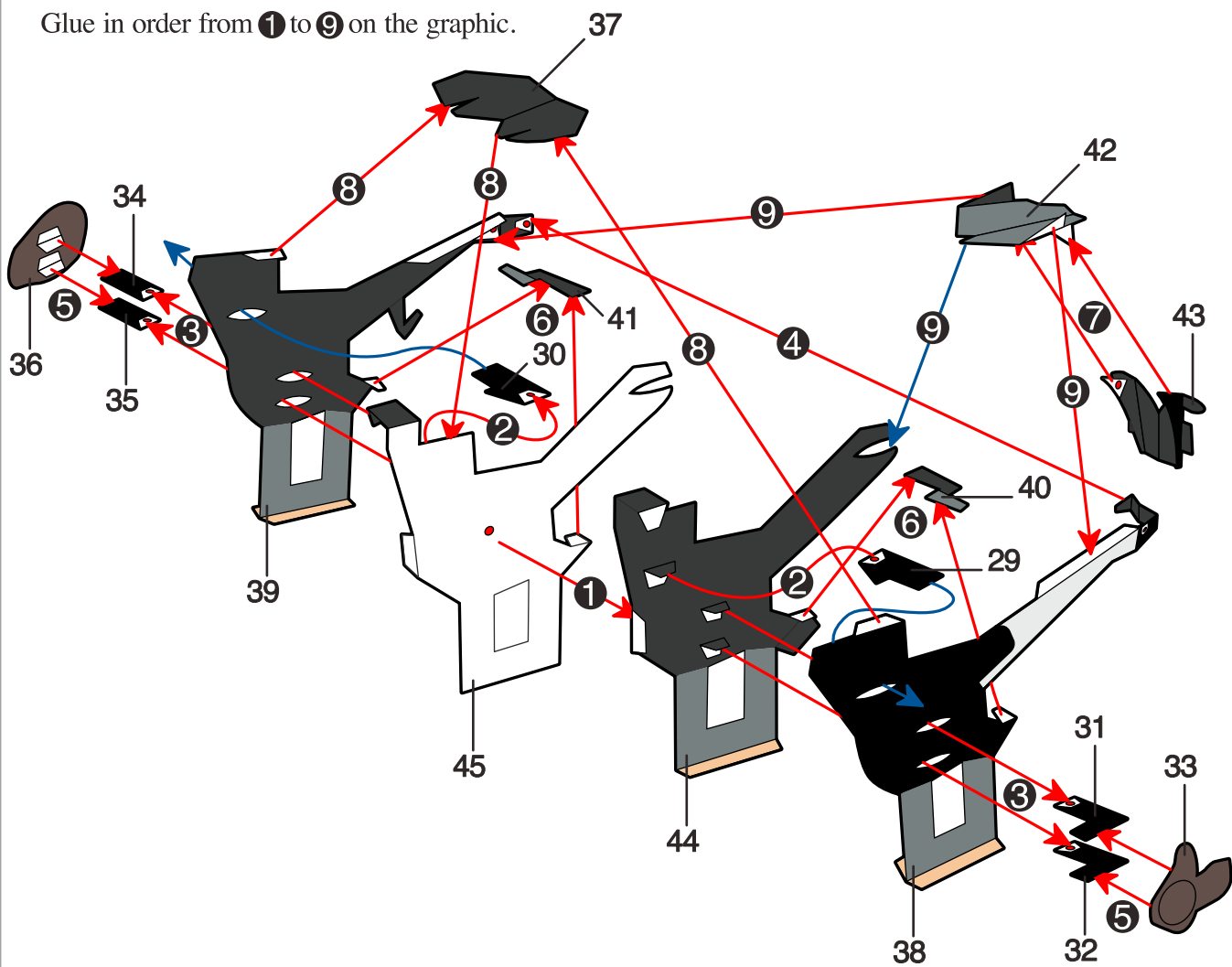
# 3 Assembly

Please refer to the "Basic working method and markings" symbol chart on Page 2 to assemble each part.

Indication of Working Methods ---> Fold or Curve    -> Glue    <-> Insert    ● Gluing surfaces

## 6. Assembly of the frame

Glue in order from ① to ⑨ on the graphic.



Reference photo



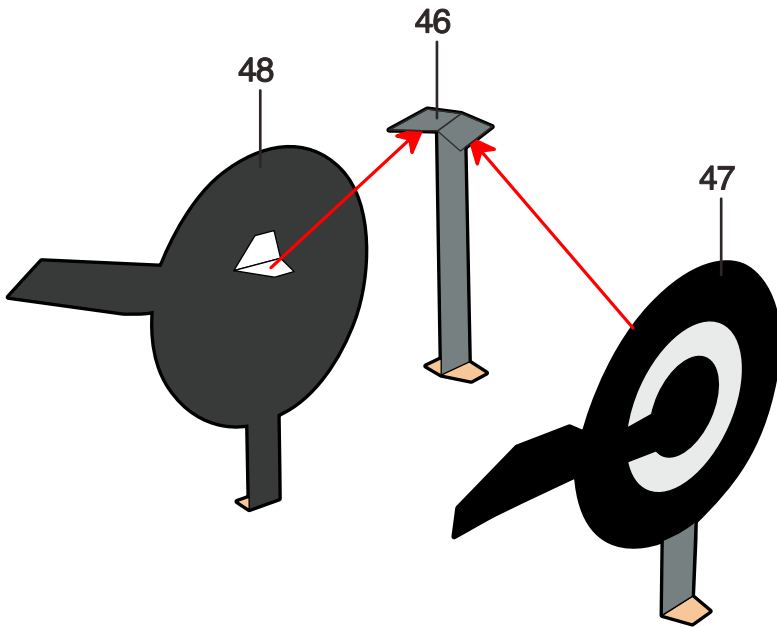
# 3 Assembly

Please refer to the "Basic working method and markings" symbol chart on Page 2 to assemble each part.

Indication of Working Methods ---> Fold or Curve -> Glue <-> Insert ● Gluing surfaces

## 7. Assembly of the rear tire

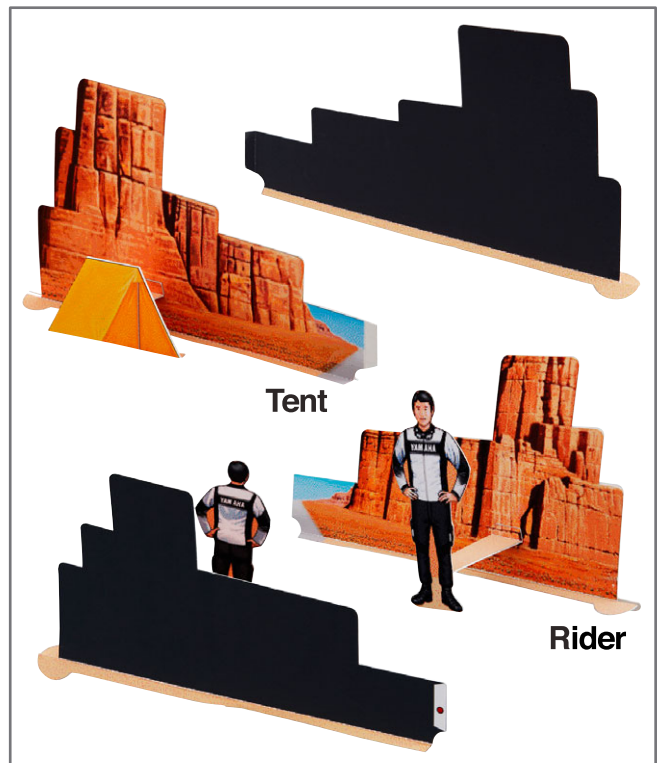
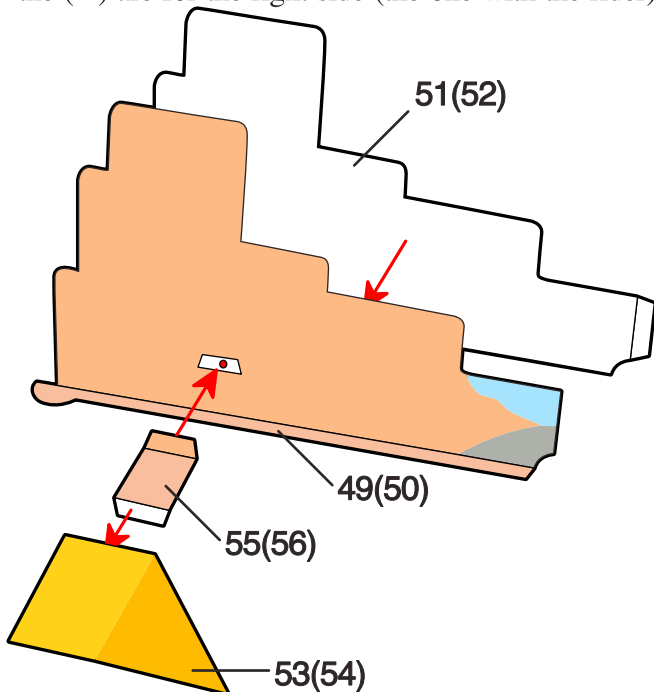
Reference photo



## 8. Assembly of the tent , the rider

Reference photo

\*Assemble both sides. The diagram shows the left side (the one with the tent).The numbers inside the ( ) are for the right side (the one with the rider).



# 3 Assembly

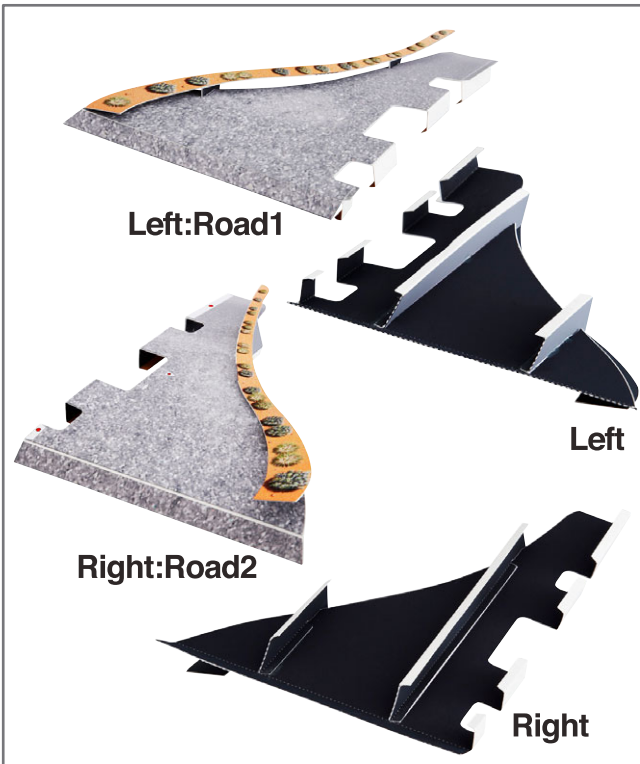
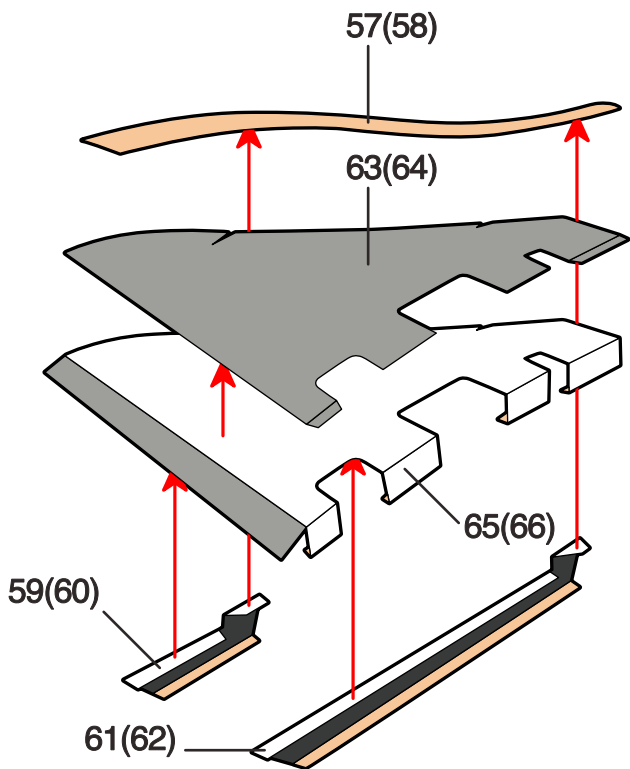
Please refer to the "Basic working method and markings" symbol chart on Page 2 to assemble each part.

Indication of Working Methods  Fold or Curve  Glue  Insert  Gluing surfaces

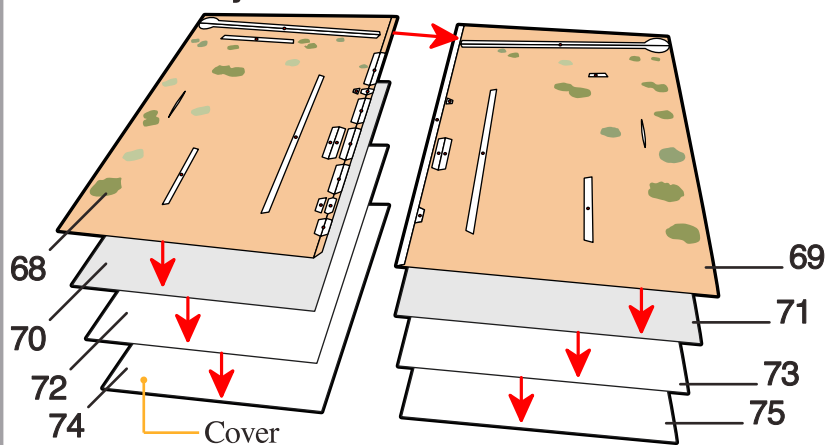
## 9. Assembly of the road

\*Assemble both sides. The diagram shows the left side (Road 1). The numbers inside the ( ) are for the right side (Road 2).

Reference photo



## 10. Assembly of the field



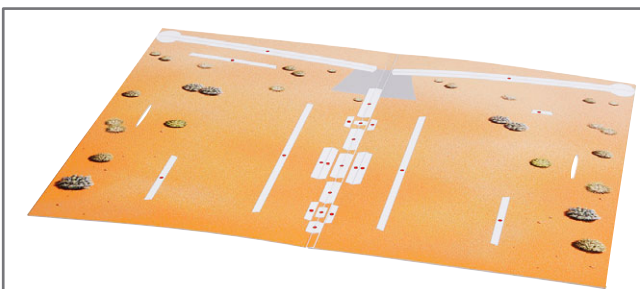
Clip  
Note:  
To close the card,  
please use **67** as  
an assembly clip.

Note: If you are using heavy paper which makes the mount too thick, please ignore parts **72** and **73**.

Note: If you are not writing any message, please use **75-2**.



Reference photo



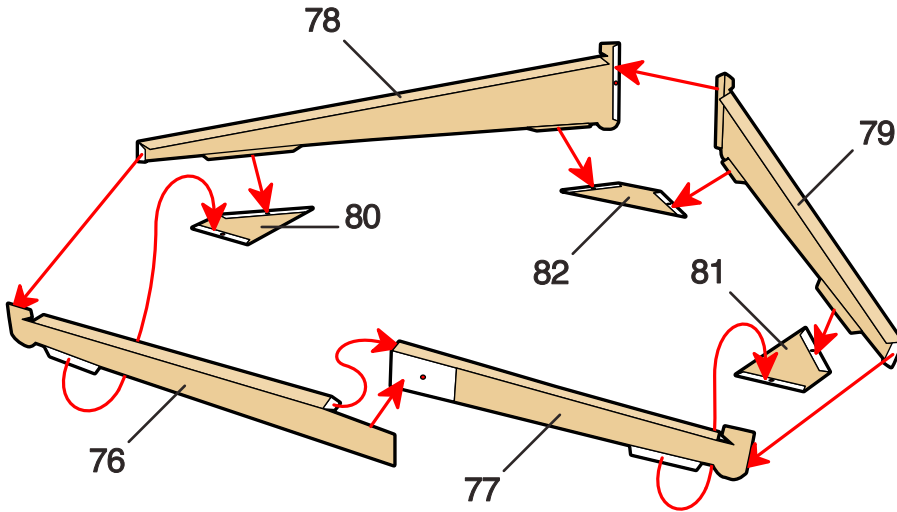


# 3 Assembly

Please refer to the "Basic working method and markings" symbol chart on Page 2 to assemble each part.

Indication of Working Methods ---> Fold or Curve    → Glue    ↔ Insert    ● Gluing surfaces

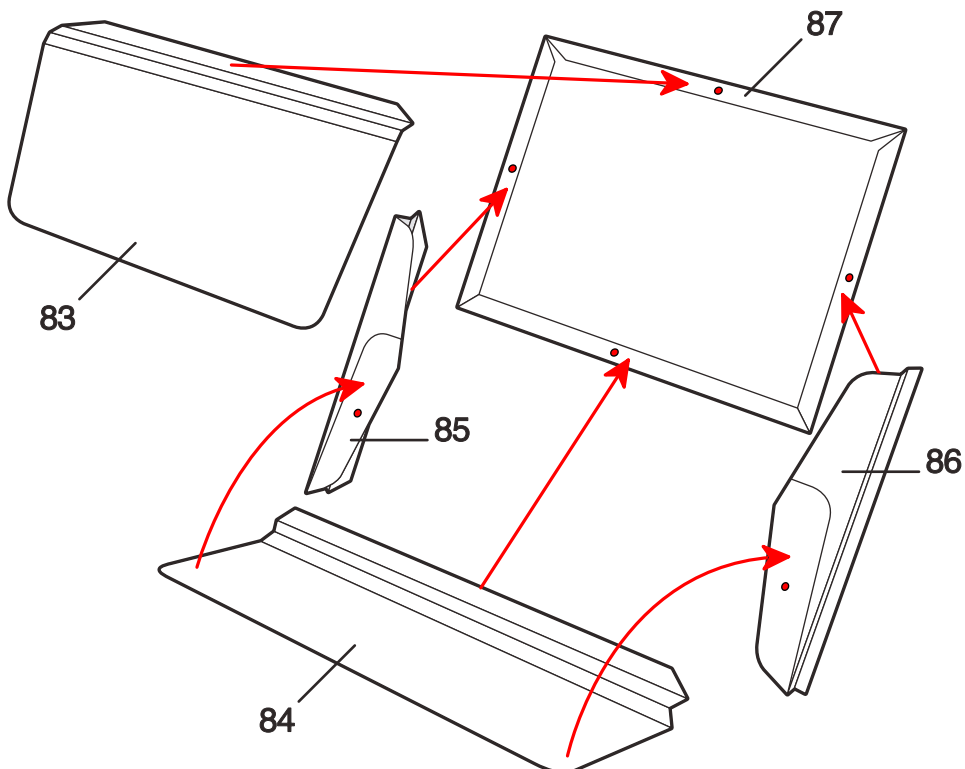
## 11. Assembly of the stand



Reference photo



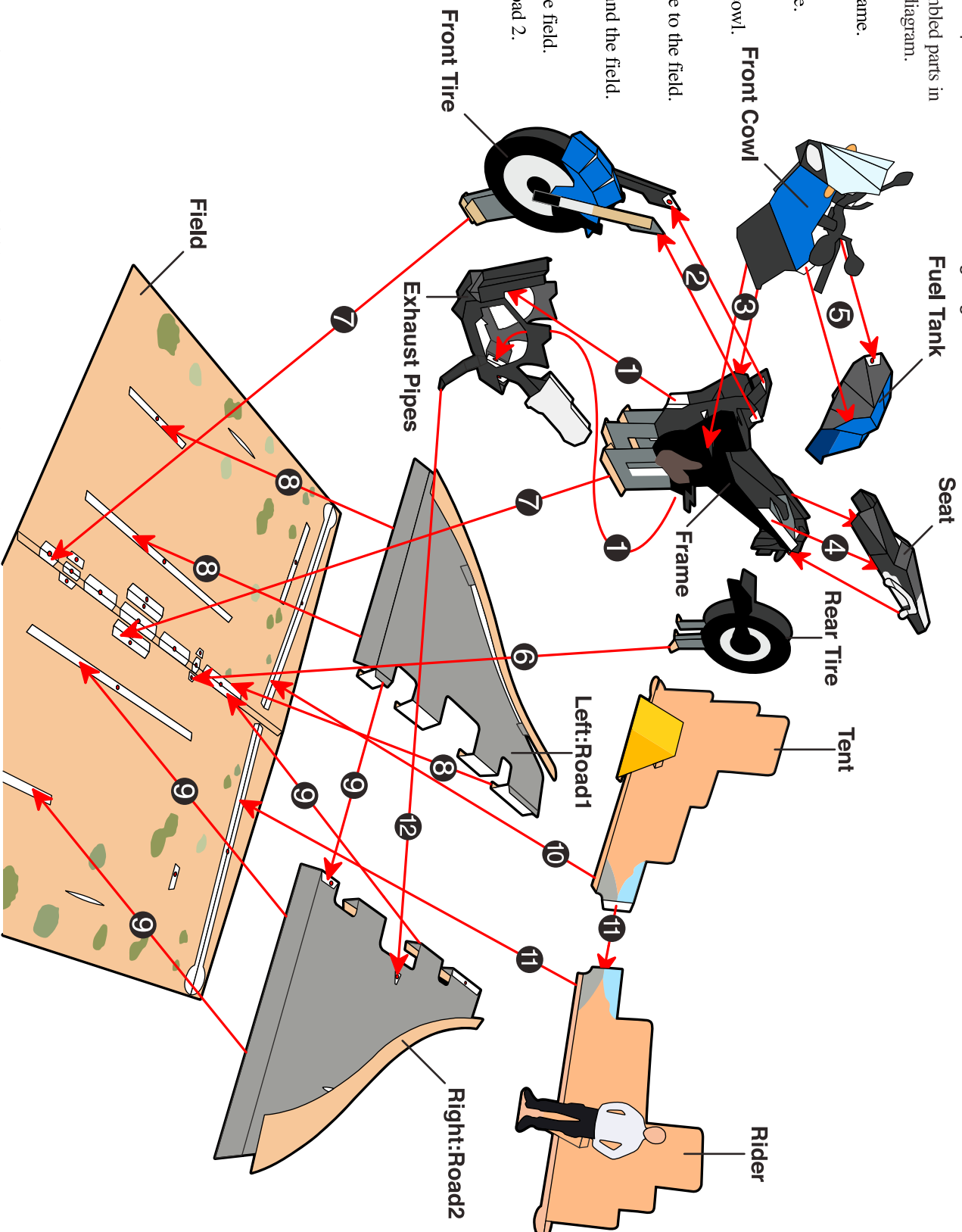
## 12. Assembly of the envelope



Please use the ● dots on each component as reference when gluing surfaces.

Connect each of the previously assembled parts in order from 1 - 12 according to the diagram.

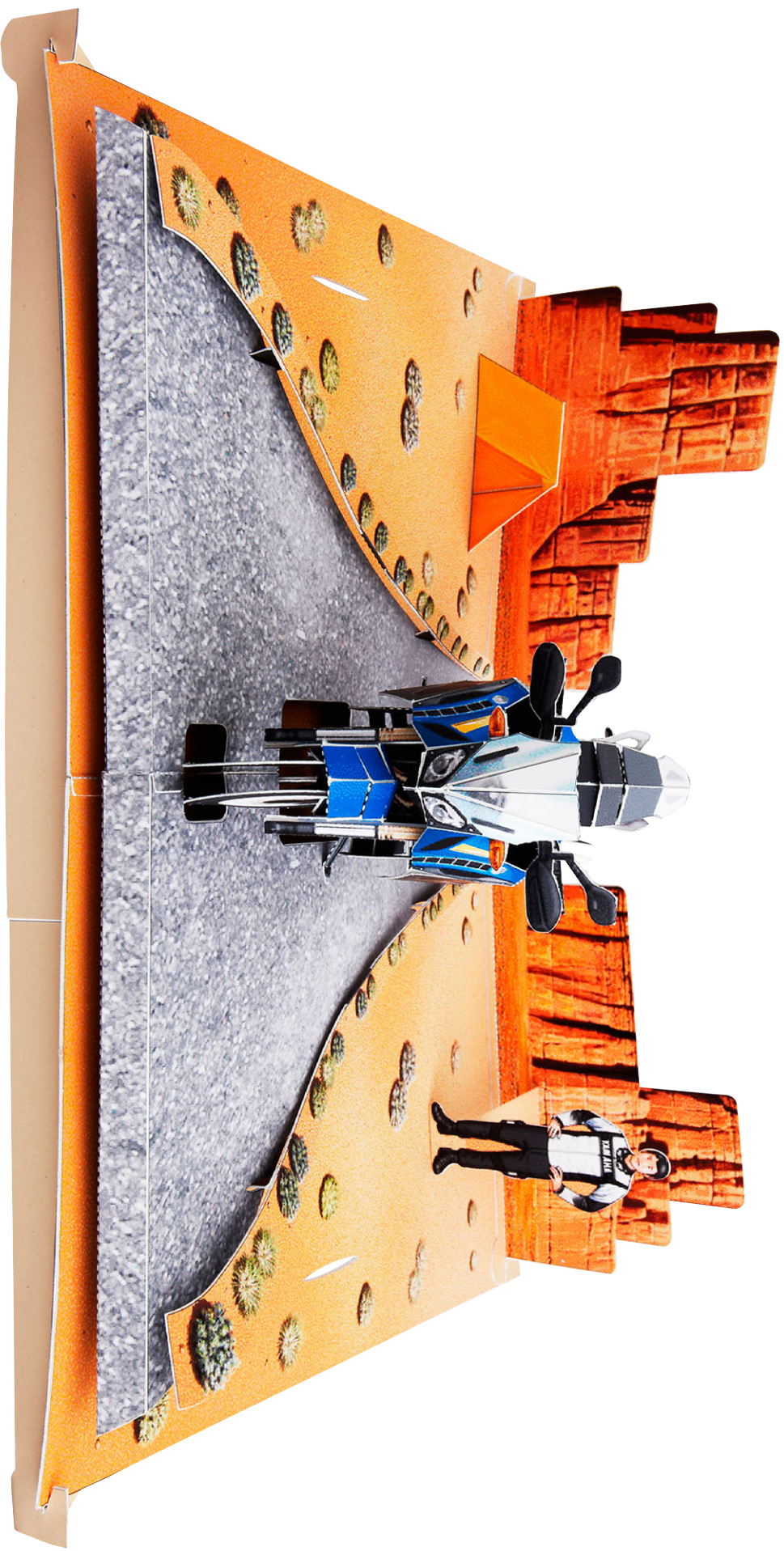
- 1 Glue the exhaust pipes to the frame.
- 2 Glue the front tire to the frame.
- 3 Glue the front cowl to the frame.
- 4 Glue the seat to the frame.
- 5 Glue the fuel tank to the front cowl.
- 6 Glue the rear tire to the field.
- 7 Glue the front tire and the frame to the field.
- 8 Glue the road 1 to the field.
- 9 Glue the road 2 to the road 1 and the field.
- 10 Glue the tent to the field.
- 11 Glue the rider to the tent and the field.
- 12 Glue the exhaust pipes to the road 2.



Note: Each time you glue a part on, please check whether it folds properly before moving on to the next part.

## 4 Completion

Here are pictures of the completed models. Please refer to them when assembling.



## 4 Completion

Here are pictures of the completed models. Please refer to them when assembling.

